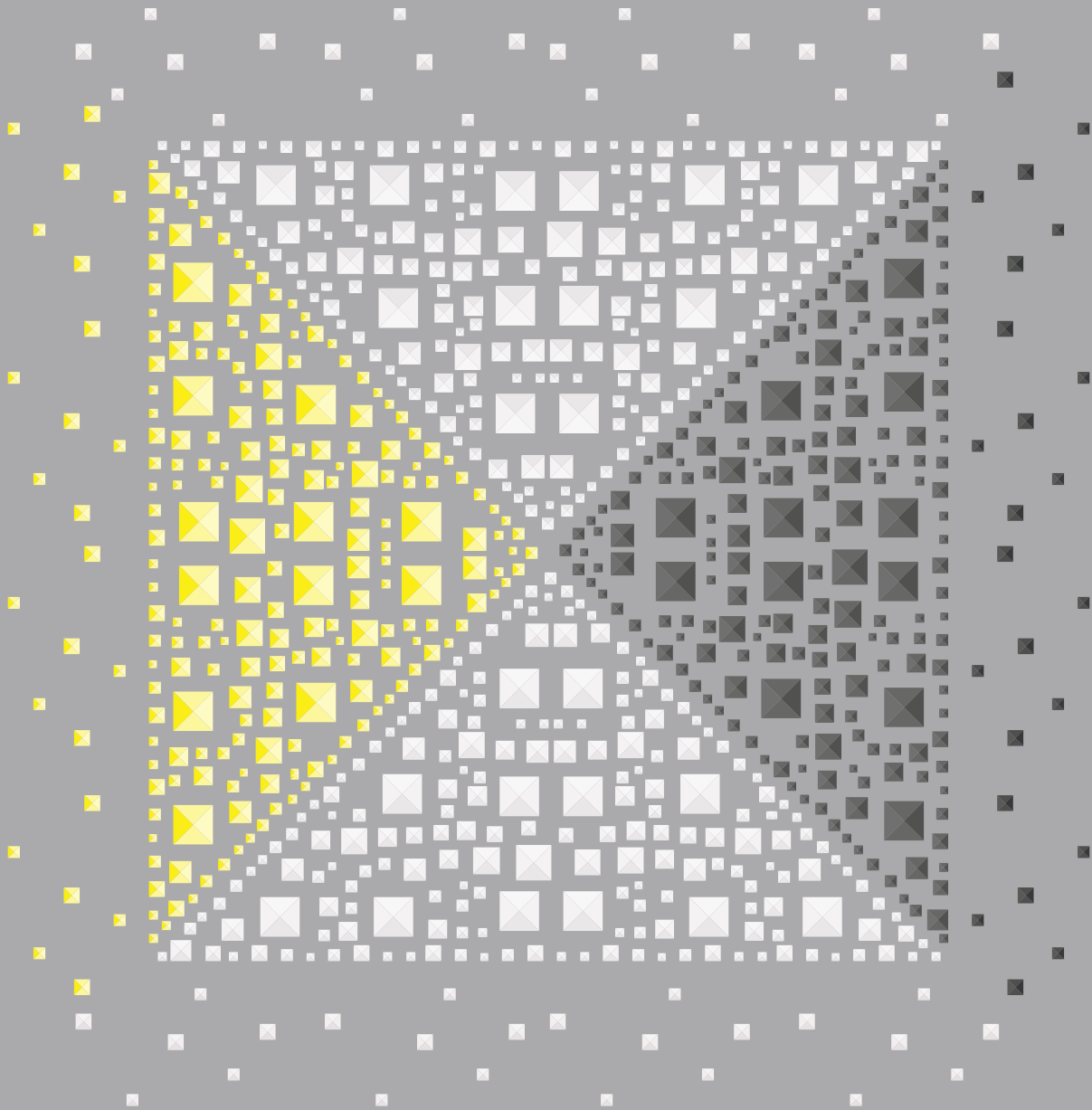


# EGYLUX

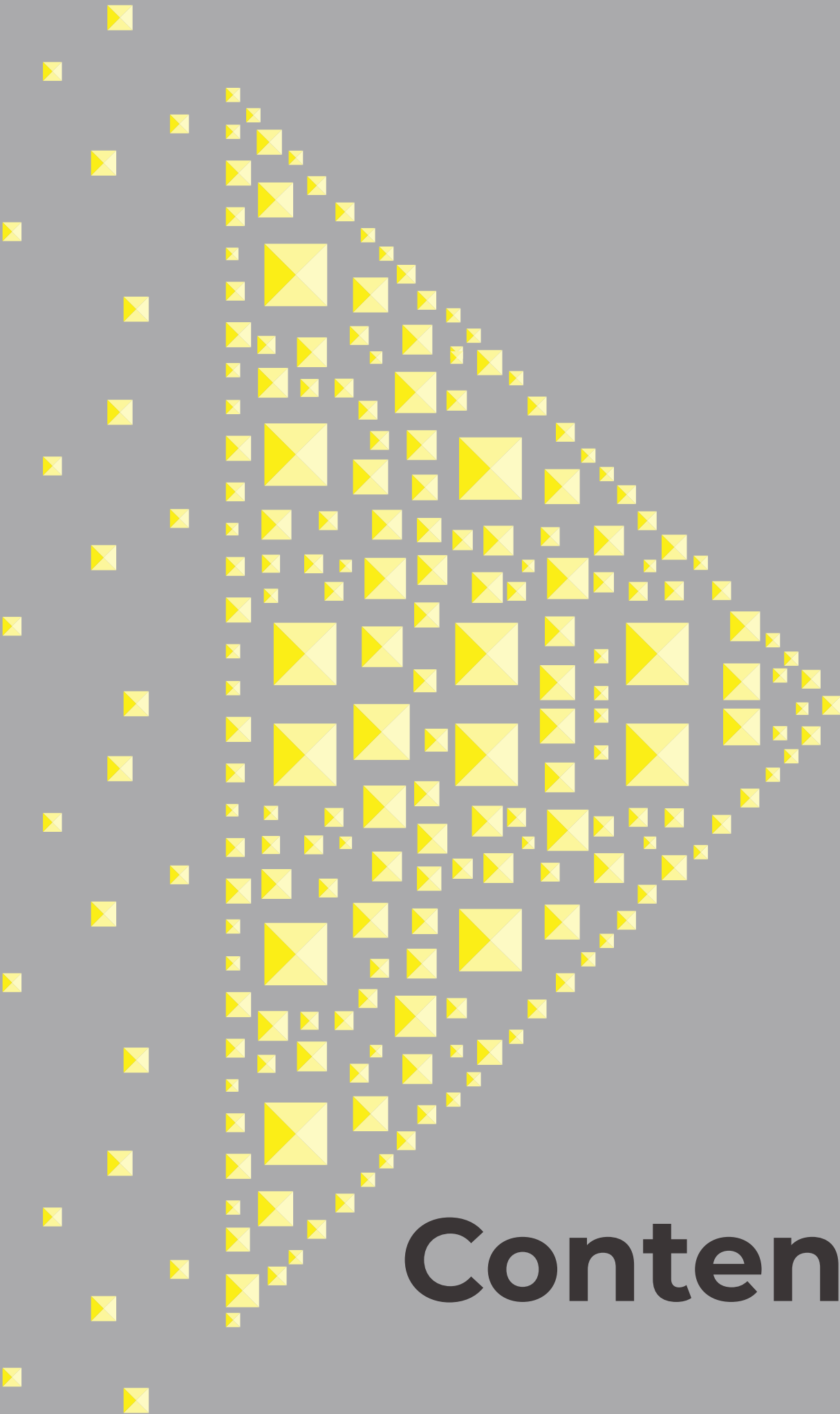
Lighting



WE LIGHT YOUR LIFE!







# Contents

**02**

LED PANEL BACK LIGHT

**16**

LED DOWN LIGHT

**34**

LED WEATHER PROOF LIGHT

**44**

LED STREET LIGHT

**54**

LED FLOOD LIGHT

**64**

LED LOW BAY LIGHT

**66**

LED HIGH BAY LIGHT

**68**

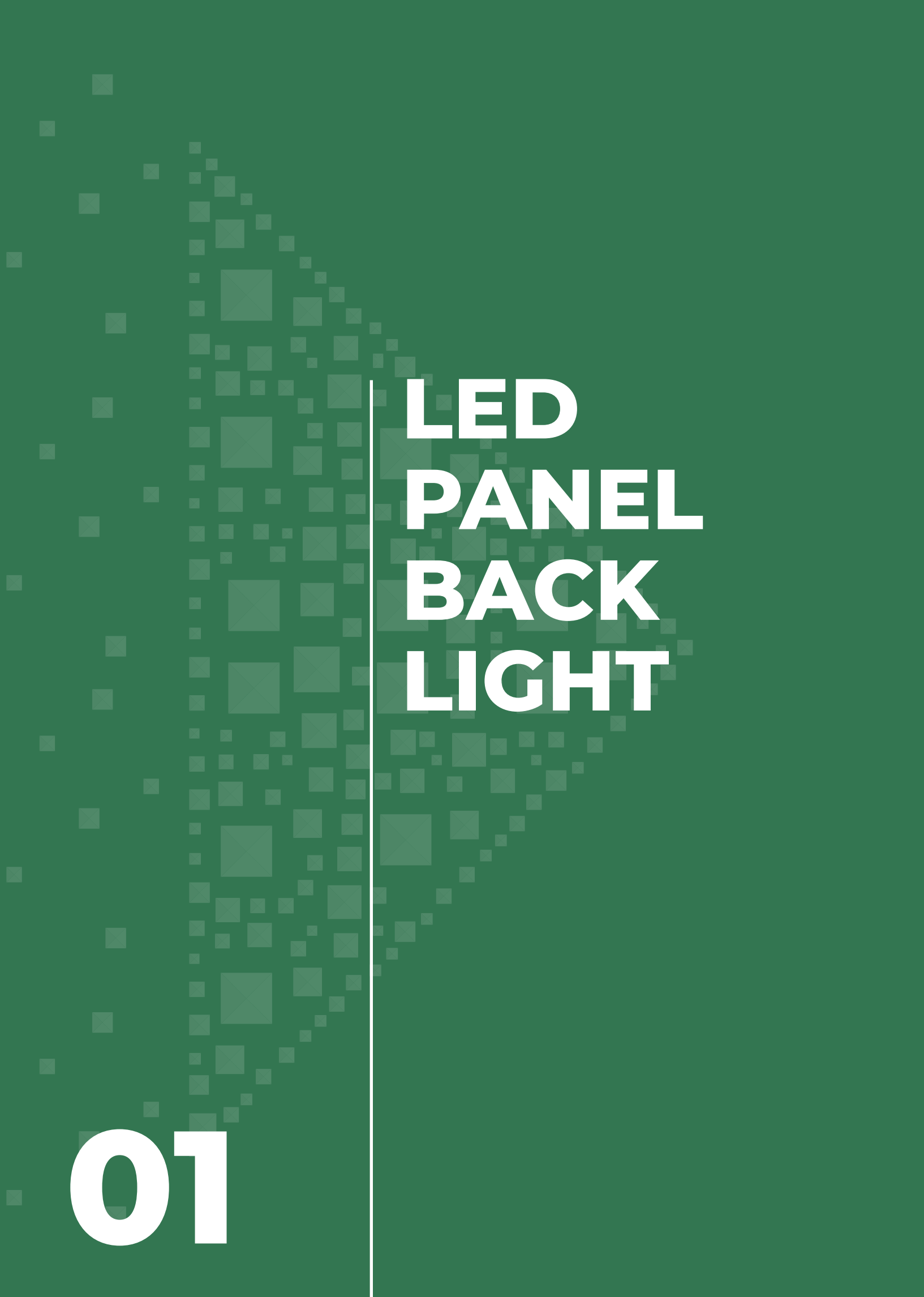
WALL LUMINAIRES

**74**

LED DECORATIVE FAMILIES

**96**

GARDEN LIGHT



# LED PANEL BACK LIGHT

# 01



# LED PANEL BACK LIGHT



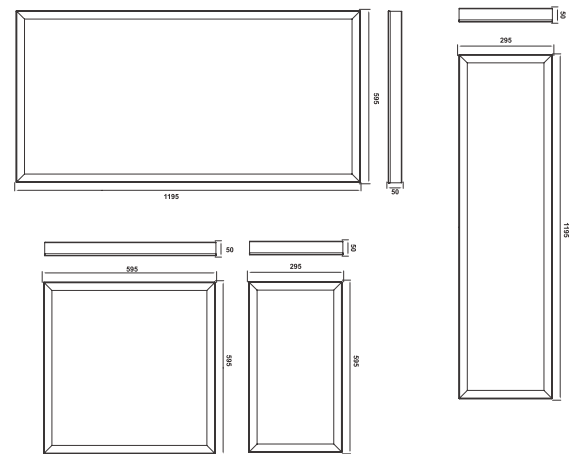
## LED Panel Back Light

### Features

Elegant Special Design

Housing made of Aluminum Frame, Steel Sheet with anti-scratch electrostatic powder coating.

### Dimensional Diagram



### Applications



OFFICES



CORRIDORS



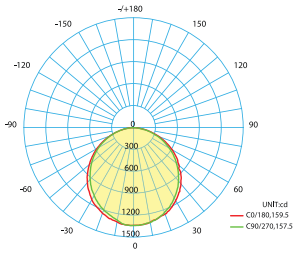
VILLAS



INDOOR



# Photometric Diagram



**LED PANEL  
BACK LIGHT**

## Mechanical Technical Data

Length	595 / 1195 / 1195 / 595 mm
Width	595 / 595 / 295 / 295 mm
Height	50 mm
Diffuser	Prismatic Diffuser
IP - Rating	IP 40 / Optional IP 54 / 65
Standard Finish	Electrostatic Powder Coating

## Electrical Technical Data

Power Factor	> 0.95
Input Voltage	220V – 240V AC
CRI	≥ 80
Warranty	3 Years
LED Lifespan	50000 hrs.
Chip Brand	TCI/LUMILEDS
Driver Brand	TCI
Operational Temp.	-25 °C ~ +50 °C
Frequency	50 / 60 Hz

## Basic Technical Data

Model Code	Dimension	Wattage	Total Lumen Flux	System Efficacy
PNL***-E2A28-P*-TCI/*K	595x295 mm	28 W	3220 lm@4000k	115 lm/W
PNL***-E4A40-P*-TCI/*K	595x595 mm	40 W	4600 lm@4000k	115 lm/W
PNL***-E4A45-P*-TCI/*K	595x595 mm	45 W	5175 lm@4000k	115 lm/W
PNL***-E4A50-P*-TCI/*K	595x595 mm	50 W	5750 lm@4000k	115 lm/W
PNL***-E3A40-P*-TCI/*K	1195x295 mm	40 W	4600 lm@4000k	115 lm/W
PNL***-E3A45-P*-TCI/*K	1195x295 mm	45 W	5175 lm@4000k	115 lm/W
PNL***-E3A50-P*-TCI/*K	1195x295 mm	50 W	5750 lm@4000k	115 lm/W
PNL***-E6A80-P*-TCI/*K	1195x595 mm	80 W	9200 lm@4000k	115 lm/W

“*K”>>3K>>3000K “*K”>>4K>>4000K “*K”>>5K>>5700K	P* >>P1>>IP40 P*>>P5>>IP54 P*>>P6>>IP65	E4: 60x60cm E3: 30x120cm PNL***>PNL660>>Recessed Luminaire PNL***>PNL820>>Surface Luminaire
---	---	--

# LED PANEL BACK LIGHT



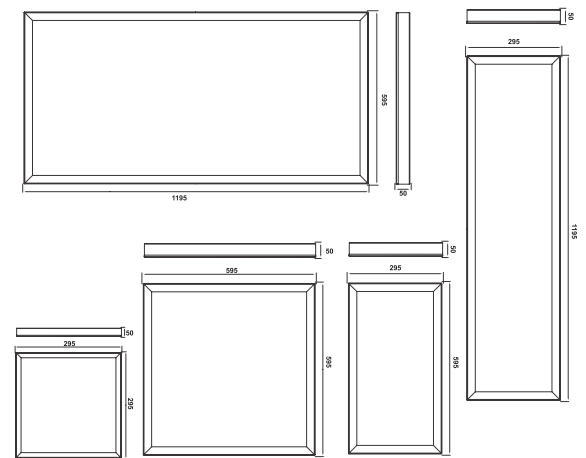
## LED Panel Back Light

### Features

Elegant Special Design

Housing made of Steel Sheet with anti-scratch electrostatic powder coating.

### Dimensional Diagram



### Applications



OFFICES



CORRIDORS

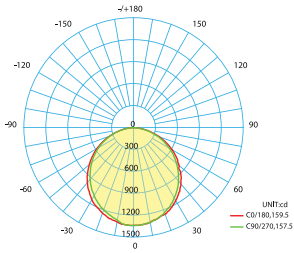


VILLAS



INDOOR

# Photometric Diagram



**LED PANEL  
BACK LIGHT**

## Mechanical Technical Data

Length	595 / 1195 / 1195 / 595 / 295 mm
Width	595 / 595 / 295 / 295 / 295 mm
Height	50 mm
Diffuser	Opal Diffuser or Opal with glass
IP - Rating	IP 40 / Optional IP 54 / 65
Standard Finish	Electrostatic Powder Coating

## Electrical Technical Data

Power Factor	> 0.95
Input Voltage	220V – 240V AC
CRI	≥ 80
CCT	3000K ~ 4000K ~5700K
Warranty	3 Years
LED Lifespan	50000 hrs.
Chip Brand	TCI
Driver Brand	TCI
Operational Temp.	-25 °C ~ +50 °C
Frequency	50 / 60 Hz

## Basic Technical Data

Model Code	Dimension	Wattage	Total Lumen Flux	System Efficacy
PNLF***-E1A170*-TCI/*K	295x295 mm	17 W	1990 lm@4000k	117 lm/W
PNLF***-E2A280*-TCI/*K	595x295 mm	28 W	3280 lm@4000k	117 lm/W
PNLF***-E4A40-O*-TCI/*K	595x595 mm	40 W	4700 lm@4000k	117 lm/W
PNLF***-E4A48-O*-TCI/*K	1195x295 mm	48 W	5600 lm@4000k	117 lm/W
PNLF***-E3A40-O*-TCI/*K	1195x295 mm	40 W	4700 lm@4000k	117 lm/W
PNLF***-E3A48-O*-TCI/*K	1195x295 mm	48 W	5600 lm@4000k	117 lm/W
PNLF***-E6A80-O*-TCI/*K	1195x595 mm	80 W	9350 lm@4000k	117 lm/W
PNLF***-E6A96-O*-TCI/*K	1195x595 mm	96 W	11200 lm@4000k	117 lm/W

“*K”>>3K>>3000K “*K”>>4K>>4000K “*K”>>5K>>5700K	O*>>O1>>IP40 O*>>O5>>IP54 O*>>O6>>IP65 GO6>>Glass Diffuser + IP65
---	--

E4: 60x60cm E3: 30x120cm	PNLF***>>PNLF660>>Recessed Luminaire PNLF***>>PNLF820>>Surface Luminaire
-----------------------------	---

# LED SLIM PANEL LIGHT



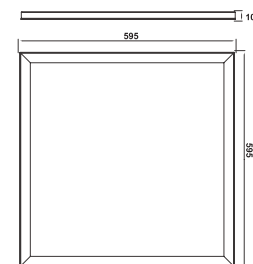
## LED Slim Panel

### Features

Elegant Special Design

Housing made of Aluminum Frame Steel Sheet with anti-scratch electrostatic powder coating.

### Dimensional Diagram



### Applications



OFFICES



CORRIDORS

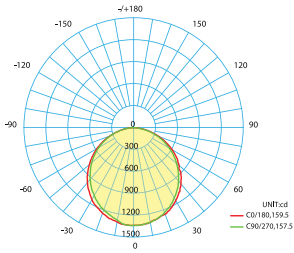


VILLAS



INDOOR

# Photometric Diagram



LED PANEL LIGHT

## Mechanical Technical Data

Length	595 mm
Width	595 mm
Height	10 mm
Diffuser	Opal Diffuser
IP - Rating	IP 40
Standard Finish	Electrostatic Powder Coating

## Electrical Technical Data

Power Factor	> 0.95
Input Voltage	220V – 240V AC
CRI	≥ 80
CCT	3000K ~ 4000K ~ 6000K
Warranty	3 Years
LED Lifespan	50000 hrs.
Chip Brand	Osram / LUMILDES
Driver Brand	Philips / V. Shwabe (EU/CH)
Operational Temp.	-25 °C ~ +50 °C
Frequency	50 / 60 Hz

## Basic Technical Data

Model Code	Dimensions	Wattage	Total Lumen Flux	System Efficacy
CPS-E4A40-P5-4000K-PH-01	595x595 mm	40 W	4200 lm@4000K	105 lm/W
CPS-E4A40-P5-4000K-PH	595x595 mm	40 W	4200 lm@4000K	105 lm/W
CPS-E4A40-P5-4000K-VS	595x595 mm	40 W	4200 lm@4000K	105 lm/W
CPS-E4A40-P5-4000K-VS-01	595x595 mm	40 W	4200 lm@4000K	105 lm/W

"\*\*\*\*K">>3000K>>3000K  
 "\*\*\*\*K">>4000K>>4000K  
 "\*\*\*\*K">>6000K>>6000K

# LED PANEL BACK LIGHT



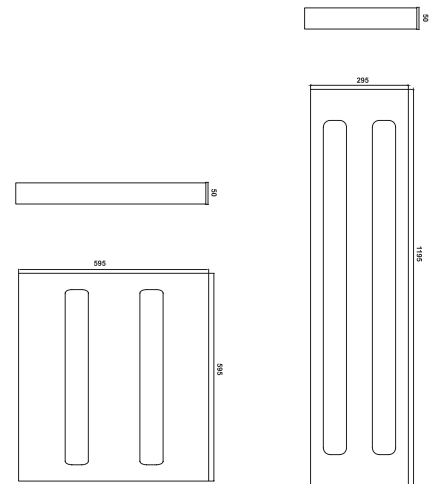
## Extra LED 2

### Features

Elegant Special Design

Housing made of Aluminum Frame, Steel Sheet with anti scratch electrostatic powder coating.

### Dimensional Diagram



### Applications



OFFICES



CORRIDORS

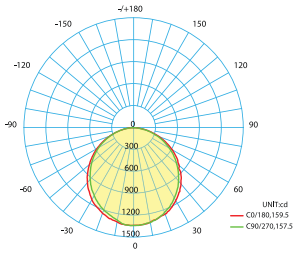


VILLAS



INDOOR

# Photometric Diagram



**LED PANEL  
BACK LIGHT**

## Mechanical Technical Data

Length	595 / 1195 mm
Width	595 / 295 mm
Height	50 mm
Diffuser	Opal Diffuser
IP - Rating	IP 40 / Optional IP 54 / 65
Standard Finish	Electrostatic Powder Coating

## Electrical Technical Data

Power Factor	> 0.95
Input Voltage	220V – 240V AC
CRI	≥ 80
CCT	3000K ~ 4000K ~5700K
Warranty	3 Years
LED Lifespan	> 50000 hrs.
Chip Brand	TCI/LUMILEDS
Driver Brand	TCI
Operational Temp.	-25° C ~ +50° C
Frequency	50 / 60 Hz

## Basic Technical Data

Model Code	Dimensions	Wattage	Total Lumen Flux	System Efficacy
PNL2660-E4A25-O5-TCI/4K	595x595 mm	25 W	2625 Lm @ 4000 K	105 lm/W
PNL2660-E4A30-O5-TCI/4K	595x595 mm	30 W	3150 Lm @ 4000 K	105 lm/W
PNL2660-E4A40-O5-TCI/4K	595x595 mm	40 W	4200 Lm @ 4000 K	105 lm/W
PNL2660-E3A30-O5-TCI/4K	1195x295 mm	30 W	3150 Lm @ 4000 K	105 lm/W
PNL2660-E3A40-O5-TCI/4K	1195x295 mm	40 W	4200 Lm @ 4000 K	105 lm/W
PNL2660-E3A50-O5-TCI/4K	1195x295 mm	50 W	5250 Lm @ 4000 K	105 lm/W

"*K">>3K>>3000K	O*>>O1>>IP40
"*K">>4K>>4000K	O*>>O5>>IP54
"*K">>5K>>5700K	O*>>O6>>IP65

E4: 60x60cm
E3: 30x120cm
PNL2***>PNL2660>>Recessed Luminaire
PNL2***>PNL2820>>Surface Luminaire

# LED PANEL BACK LIGHT



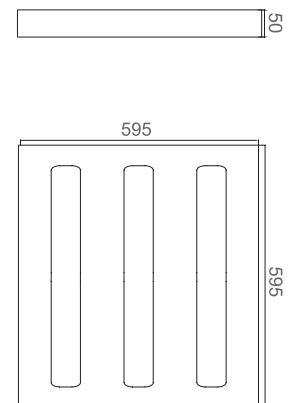
## Extra LED 3

### Features

Elegant Special Design

Housing made of Aluminum Frame, Steel Sheet with anti-scratch electrostatic powder coating.

### Dimensional Diagram



### Applications



OFFICES



CORRIDORS



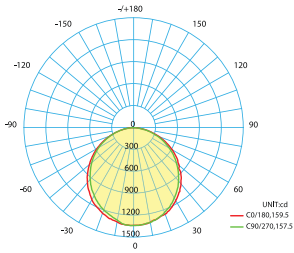
VILLAS



INDOOR



# Photometric Diagram



LED PANEL BACK LIGHT

## Mechanical Technical Data

Length	595 mm
Width	595 mm
Height	50 mm
Diffuser	Opal Diffuser
IP - Rating	IP 40 / Optional IP 54 / 65
Standard Finish	Electrostatic Powder Coating

## Electrical Technical Data

Power Factor	> 0.95
Input Voltage	220V – 240V AC
CRI	≥ 80
CCT	3000K ~ 4000K ~5700K
Warranty	3 Years
LED Lifespan	> 50000 hrs.
Chip Brand	TCI/LUMILEDS
Driver Brand	TCI
Operational Temp.	-25 °C ~ +50 °C
Frequency	50 / 60 Hz

## Basic Technical Data

Model Code	Dimensions	Wattage	Total Lumen Flux	System Efficacy
PNL3660-E4A30-O5-TCI/4K	595x595 mm	30 W	3150 Lm @ 4000 K	105 lm/W
PNL3660-E4A40-O5-TCI/4K	595x595 mm	40 W	4200 Lm @ 4000 K	105 lm/W
PNL3660-E4A50-O5-TCI/4K	595x595 mm	50 W	5250 Lm @ 4000 K	105 lm/W

"*K">>3K>>3000K	O*>>O1>>IP40
"*K">>4K>>4000K	O*>>O5>>IP54
"*K">>5K>>5700K	O*>>O6>>IP65

PNL3\*\*\*>PNL3660>>Recessed Luminaire  
 PNL3\*\*\*>PNL3820>>Surface Luminaire

# LED LINEAR

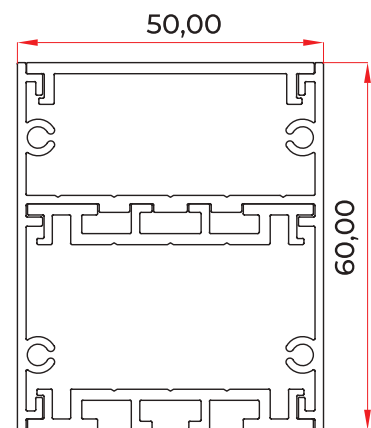
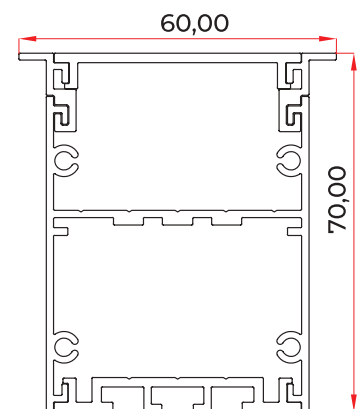


## LED LINEAR

### Features

Housing made of extruded Aluminum, with anti-scratch electrostatic powder coating.

### Dimensional Diagram



### Applications



OFFICES



CORRIDORS

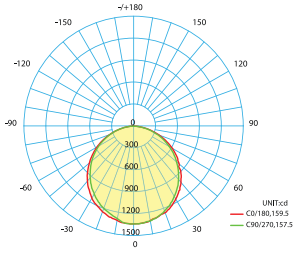


VILLAS



INDOOR

# Photometric Diagram



LED LINEAR

## Mechanical Technical Data

Installation	Surface / Recessed/Suspended
Length	560/1120/1680 mm
Width	50 mm
Height	70 mm
Diffuser	Opal Diffuser
IP - Rating	IP 40
Standard Finish	Electrostatic Powder Coating
Custom color	Available

## Electrical Technical Data

Power Factor	> 0.95
Input Voltage	220V – 240V AC
CRI	≥ 80
CCT	3000K ~ 4000K ~5700K
Warranty	3 Years
LED Lifespan	> 50000 hrs.
Chip Brand	TCI/LUMILEDS
Driver Brand	TCI
Operational Temp.	-25 °C ~ +50 °C
Frequency	50 / 60 Hz

## Basic Technical Data

Model Code	Dimensions	Wattage	Total Lumen Flux	System Efficacy
LIN*06013LED-TCI-**	560 mm	13 W	1365 Lm @ 4000 K	105 lm/W
LIN*06017LED-TCI-**	560 mm	17 W	1785 Lm @ 4000 K	105 lm/W
LIN*06020LED-TCI-**	560 mm	20 W	2100 Lm @ 4000 K	105 lm/W
LIN*12026LED-TCI-**	1120 mm	26W	2730 Lm @ 4000 K	105 lm/W
LIN*12033LED-TCI-**	1120 mm	33 W	3570 Lm @ 4000 K	105 lm/W
LIN*12040LED-TCI-**	1120 mm	40 W	4200 Lm @ 4000 K	105 lm/W
LIN*17040LED-TCI-**	1680 mm	40 W	4200 Lm @ 4000 K	105 lm/W
LIN*17050LED-TCI-**	1680 mm	50 W	5250 Lm @ 4000 K	105 lm/W
LIN*17060LED-TCI-**	1680 mm	60 W	6300 Lm @ 4000 K	105 lm/W

\*\*\*>>30>>3000K  
 \*\*\*>>40>>4000K  
 \*\*\*>>60>>5700K

LIN\*>LINR>>Recessed Luminaire  
 LIN\*>LINS>>Surface Luminaire

# LED STRIP - NEON



## LED STRIP - NEON

### Features

Housing made of Silicon.

### Applications



OFFICES



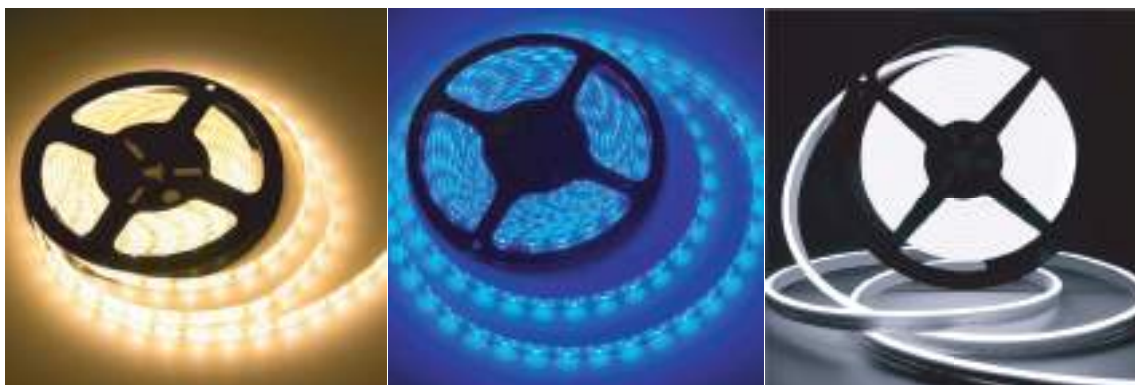
CORRIDORS



VILLAS



INDOOR



**LED  
STRIP - NEON**

### Mechanical Technical Data

Installation	Surface / Recessed
Length	5000 mm
Width	10 mm
Height	10 mm
Diffuser	Silicon
IP - Rating	IP 65 / 68 Optional

### Electrical Technical Data

Power Factor	> 0.95
Input Voltage	220V – 240V AC
CRI	≥ 80
CCT	Warm/Blue/White Neon
Warranty	3 Years
LED Lifespan	> 50000 hrs.
Chip Brand	San'an Chip
Driver Brand	Meanwell / Adaptor
Operational Temp.	-25° C ~ +50° C
Frequency	50 / 60 Hz

### Basic Technical Data

Model Code	Dimensions	Wattage	Total Lumen Flux	System Efficacy
STR - SM - DR - 4.8W	5000 mm	25 W (4.8W/M)	3000 Lm / 5 M (600Lm/M)	125 lm/W
STR - SM - DR - 14.4W	5000 mm	72 W (14.4W/M)	6000 Lm / 5 M (1200Lm/M)	83 lm/W
STR - SM - DR - 4.8W - ME	5000 mm	25 W (4.8W/M)	3000 Lm / 5 M (600Lm/M)	125 lm/W
STR - SM - DR - 14.4W - ME	5000 mm	72 W (14.4W/M)	6000 Lm / 5 M (1200Lm/M)	83 lm/W

Note:  
ME>>Meanwell Driver



# LED DOWN LIGHT

# 02



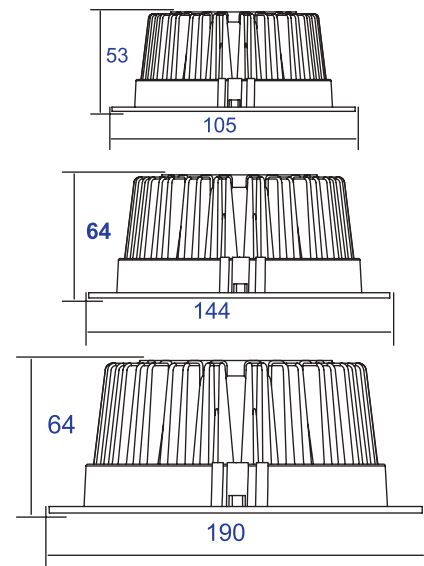


## DOWN LIGHT LED

### Features

Recessed Down light made of Die-Cast Aluminum, with Opal polycarbonate diffuser.

### Dimensional Diagram



### Applications



OFFICES



CORRIDORS



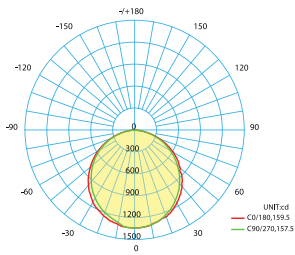
VILLAS



INDOOR



# Photometric Diagram



**SMD  
DOWN LIGHT**

## Physical Characteristics

Installation	Recessed Mounted
Cut - out Size	98/121/161
Depth / Height	53/64/64 mm
Length	n/a
Width / Diameter	105/144/190 mm
Diffuser	Opal Diffuser
IP - Rating	IP 54
Fixture Material	Die Cast Aluminium
Standard Finish	Electrostatic Black,White
Custom Colour	Available

## Electric / Photometric Data

Power Factor	> 0.95
Input Voltage	220V – 240V AC
CRI	≥ 80
CCT	3000K ~ 4000K ~5700K
Warranty	3 Years
LED Lifespan	> 50000 hrs.
Chip Brand	Osram/LUMILEDS
Driver Brand	TCI
Operational Temp.	-25 °C ~ +50 °C
Frequency	50 / 60 Hz

## SPECIFICATIONS

Model Code	Outer Diameter	Power	Total Luminous Flux	System Efficacy
Dow0645**OSLED-TCI	105 mm	6 W	630 lm	105 lm/W
Dow0945**OSLED-TCI	144 mm	9 W	945 lm	105 lm/W
Dow1245**OSLED-TCI	144 mm	12 W	1260 lm	105 lm/W
Dow1845**OSLED-TCI	190 mm	18 W	1890 lm	105 lm/W
Dow2445**OSLED-TCI	190 mm	24 W	2520 lm	105 lm/W
Dow0645**LMLED-TCI	105 mm	6 W	660 lm	110 lm/W
Dow0945**LMLED-TCI	144 mm	9 W	990 lm	110 lm/W
Dow1245**LMLED-TCI	144 mm	12 W	1320 lm	110 lm/W
Dow1845**LMLED-TCI	190 mm	18 W	1980 lm	110 lm/W
Dow2445**LMLED-TCI	190 mm	24 W	2640 lm	110 lm/W

Note: for specified CCT  
 \*\*\*>>>>> 30 >>>>>>3000K  
 \*\*\*>>>>> 40 >>>>>>4000K  
 \*\*\*>>>>> 60 >>>>>>5700K

# COB DOWN LIGHT

## CL-0859 LED

### Features

Ceiling recessed downlight, Made of die cast aluminum.



### Physical Characteristics

Installation	Recessed
Cut - out Size	66*66 mm
Depth / Height	98 mm
Length	100 mm
Width / Diameter	100 mm
Reflector / Diffuser	Aluminium Reflector
Adjustability	Non-Adjustable
IP - Rating	IP 20
IK - Rating	IK 02
Fixture Material	Die Cast Aluminium body
Standard Finish	RAL 9010 Pure white
Custom Colour	Available

### Electric / Photometric Data

Power Factor	> 0.95
Input Voltage	220V – 240V AC
CRI	≥ 80
CCT	3000K ~ 4000K ~ 5700K
Warranty	3 Years
LED Lifespan	> 50000 hrs.
Chip Brand	Cree
Driver Brand	Philips
Operational Temp.	-25 °C ~ +50 °C
Frequency	50 / 60 Hz
System Power	10 W
Luminous Flux	1120 Lm
System Efficacy	112 Lm/W

## CL-0860 LED

### Features

Ceiling recessed downlight, Made of die cast aluminum.



### Physical Characteristics

Installation	Recessed
Cut - out Size	151*66 mm
Depth / Height	98 mm
Length	185 mm
Width / Diameter	100 mm
Reflector / Diffuser	Aluminium Reflector
Adjustability	Non-Adjustable
IP - Rating	IP 20
IK - Rating	IK 02
Fixture Material	Die Cast Aluminium body
Standard Finish	RAL 9010 Pure white
Custom Colour	Available

### Electric / Photometric Data

Power Factor	> 0.95
Input Voltage	220V – 240V AC
CRI	≥ 80
CCT	3000K ~ 4000K ~ 5700K
Warranty	3 Years
LED Lifespan	> 50000 hrs.
Chip Brand	Cree
Driver Brand	Philips
Operational Temp.	-25 °C ~ +50 °C
Frequency	50 / 60 Hz
System Power	2*10 W
Luminous Flux	2*1120 Lm
System Efficacy	112 Lm/W

## Applications



OFFICES



CORRIDORS



VILLAS



INDOOR

## CL-0861 LED

### Features

Ceiling recessed downlight, Made of die cast aluminum.



### Physical Characteristics

Installation	Recessed
Cut - out Size	236*66 mm
Depth / Height	98 mm
Length	270 mm
Width / Diameter	100 mm
Reflector / Diffuser	Aluminium Reflector
Adjustability	Non-Adjustable
IP - Rating	IP 20
IK - Rating	IK 02
Fixture Material	Die Cast Aluminium body
Standard Finish	RAL 9010 Pure white
Custom Colour	Availiable

### Electric / Photometric Data

Power Factor	> 0.95
Input Voltage	220V – 240V AC
CRI	≥ 80
CCT	3000K ~ 4000K ~ 5700K
Warranty	3 Years
LED Lifespan	> 50000 hrs.
Chip Brand	Cree
Driver Brand	Philips
Operational Temp.	-25 °C ~ +50 °C
Frequency	50 / 60 Hz
System Power	3*10 W
Luminous Flux	3*1120 Lm
System Efficacy	112 Lm/W

## CL-0852 LED

### Features

Ceiling recessed downlight, Made of die cast aluminum.



### Physical Characteristics

Installation	Recessed
Cut - out Size	70 mm
Depth / Height	89 mm
Length	n/a
Width / Diameter	88 mm
Reflector / Diffuser	Aluminium Reflector
Adjustability	Adjustable
IP - Rating	IP 20
IK - Rating	IK 02
Fixture Material	Die Cast Aluminium body
Standard Finish	RAL 9010 Pure white
Custom Colour	Availiable

### Electric / Photometric Data

Power Factor	> 0.95
Input Voltage	220V – 240V AC
CRI	≥ 80
CCT	3000K ~ 4000K ~ 5700K
Warranty	3 Years
LED Lifespan	> 50000 hrs.
Chip Brand	Cree
Driver Brand	Philips
Operational Temp.	-25 °C ~ +50 °C
Frequency	50 / 60 Hz
System Power	10 W
Luminous Flux	1120 Lm
System Efficacy	112 Lm/W

COB  
DOWN LIGHT

# COB DOWN LIGHT

## CL-0870 LED

### Features

Ceiling recessed downlight, Made of die cast aluminum.



### Physical Characteristics

Installation	Recessed
Cut - out Size	103 mm
Depth / Height	111 mm
Length	n/a
Width / Diameter	116 mm
Reflector / Diffuser	Aluminium Reflector
Adjustability	Non-Adjustable
IP - Rating	IP 20
IK - Rating	IK 02
Fixture Material	Die Cast Aluminium body
Standard Finish	RAL 9010 Pure white
Custom Colour	Available

### Electric / Photometric Data

Power Factor	> 0.95
Input Voltage	220V – 240V AC
CRI	≥ 80
CCT	3000K ~ 4000K ~ 5700K
Warranty	3 Years
LED Lifespan	> 50000 hrs.
Chip Brand	Cree
Driver Brand	Philips
Operational Temp.	-25 °C ~ +50 °C
Frequency	50 / 60 Hz
System Power	15 W
Luminous Flux	1680 Lm
System Efficacy	117 Lm/W

## CL-0887 LED

### Features

Ceiling recessed downlight, Made of die cast aluminum.



### Physical Characteristics

Installation	Recessed
Cut - out Size	96 mm
Depth / Height	102 mm
Length	n/a
Width / Diameter	108 mm
Reflector / Diffuser	Aluminium Reflector
Adjustability	Non-Adjustable
IP - Rating	IP 20
IK - Rating	IK 02
Fixture Material	Die Cast Aluminium body
Standard Finish	RAL 9010 Pure white
Custom Colour	Available

### Electric / Photometric Data

Power Factor	> 0.95
Input Voltage	220V – 240V AC
CRI	≥ 80
CCT	3000K ~ 4000K ~ 5700K
Warranty	3 Years
LED Lifespan	> 50000 hrs.
Chip Brand	Cree
Driver Brand	Philips
Operational Temp.	-25 °C ~ +50 °C
Frequency	50 / 60 Hz
System Power	25 W
Luminous Flux	2925 Lm
System Efficacy	117 Lm/W

## Applications



OFFICES



CORRIDORS



VILLAS



INDOOR

## CL-0916 LED

### Features

Ceiling recessed downlight, Made of die cast aluminum.



### Physical Characteristics

Installation	Recessed
Cut - out Size	125 mm
Depth / Height	112 mm
Length	n/a
Width / Diameter	150 mm
Reflector / Diffuser	Aluminium Reflector
Adjustability	Non-Adjustable
IP - Rating	IP 20
IK - Rating	IK 02
Fixture Material	Die Cast Aluminium body
Standard Finish	RAL 9010 Pure white
Custom Colour	Availiable

### Electric / Photometric Data

Power Factor	> 0.95
Input Voltage	220V – 240V AC
CRI	≥ 80
CCT	3000K ~ 4000K ~ 5700K
Warranty	3 Years
LED Lifespan	> 50000 hrs.
Chip Brand	Cree
Driver Brand	Philips
Operational Temp.	-25° C ~ +50° C
Frequency	50 / 60 Hz
System Power	34 W
Luminous Flux	3740 Lm
System Efficacy	117 Lm/W

## CL-0898 LED

### Features

Ceiling recessed downlight, Made of die cast aluminum.



### Physical Characteristics

Installation	Recessed
Cut - out Size	116 mm
Depth / Height	90 mm
Length	n/a
Width / Diameter	126 mm
Reflector / Diffuser	Aluminium Reflector
Adjustability	Adjustable
IP - Rating	IP 20
IK - Rating	IK 02
Fixture Material	Die Cast Aluminium body
Standard Finish	RAL 9010 Pure white
Custom Colour	Availiable

### Electric / Photometric Data

Power Factor	> 0.95
Input Voltage	220V – 240V AC
CRI	≥ 80
CCT	3000K ~ 4000K ~ 5700K
Warranty	3 Years
LED Lifespan	> 50000 hrs.
Chip Brand	Cree
Driver Brand	Philips
Operational Temp.	-25° C ~ +50° C
Frequency	50 / 60 Hz
System Power	34 W
Luminous Flux	3800 Lm
System Efficacy	112 Lm/W

COB  
DOWN LIGHT

# COB DOWN LIGHT

## CL-0900 LED

### Features

Ceiling recessed downlight, Made of die cast aluminum.



### Physical Characteristics

Installation	Recessed
Cut - out Size	223*104 mm
Depth / Height	110 mm
Length	245 mm
Width / Diameter	129 mm
Reflector / Diffuser	Aluminium Reflector
Adjustability	Non-Adjustable
IP - Rating	IP 20
IK - Rating	IK 02
Fixture Material	Die Cast Aluminium body
Standard Finish	RAL 9010 Pure white
Custom Colour	Available

### Electric / Photometric Data

Power Factor	> 0.95
Input Voltage	220V – 240V AC
CRI	≥ 80
CCT	3000K ~ 4000K ~ 5700K
Warranty	3 Years
LED Lifespan	> 50000 hrs.
Chip Brand	Cree
Driver Brand	Philips
Operational Temp.	-25 °C ~ +50 °C
Frequency	50 / 60 Hz
System Power	2*34 W
Luminous Flux	2*3800 Lm
System Efficacy	112 Lm/W

## CL-0923 LED

### Features

Ceiling recessed downlight, Made of die cast aluminum.



### Physical Characteristics

Installation	Recessed
Cut - out Size	165 mm
Depth / Height	138 mm
Length	n/a
Width / Diameter	202 mm
Reflector / Diffuser	Aluminium Reflector
Adjustability	Adjustable
IP - Rating	IP 20
IK - Rating	IK 02
Fixture Material	Die Cast Aluminium body
Standard Finish	RAL 9010 Pure white
Custom Colour	Available

### Electric / Photometric Data

Power Factor	> 0.95
Input Voltage	220V – 240V AC
CRI	≥ 80
CCT	3000K ~ 4000K ~ 5700K
Warranty	3 Years
LED Lifespan	> 50000 hrs.
Chip Brand	Cree
Driver Brand	Philips
Operational Temp.	-25 °C ~ +50 °C
Frequency	50 / 60 Hz
System Power	42 W
Luminous Flux	4660 Lm
System Efficacy	111 Lm/W

## Applications



OFFICES



CORRIDORS



VILLAS



INDOOR



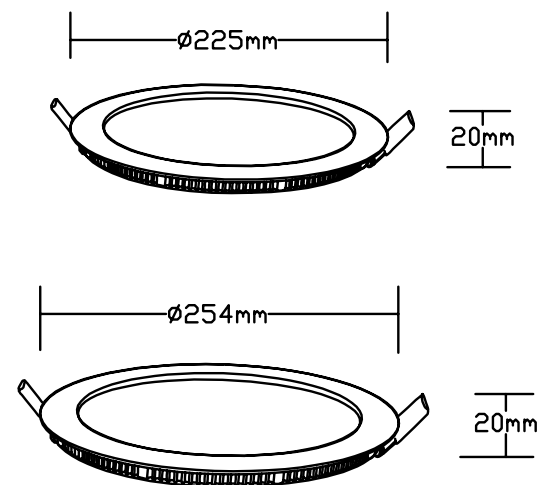
# CIRCULAR PANEL DOWN LIGHT

## EGY19-\*RC

### Features

EGYLUX led Panel recessed circular downlight

### Dimensional Diagram



### Applications



OFFICES



CORRIDORS



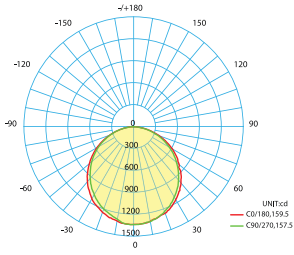
VILLAS



INDOOR



# Photometric Diagram



**PANEL  
DOWN LIGHT**

## Luminaire Data

<b>EGY 19-6RC</b>	
IP	20
Dimension	126 mm
Power	6 W
Cutout	110 mm
Input Voltage	AC100-265V
Luminous flux	540 LM
Color Temperature	3000K ~ 4000K ~ 6000K
Beam angle	120°
PF	>0.9
CRI	>80
LED Lifespan	>30000 hrs

## **EGY 19-12RC**

IP	20
Dimension	178 mm
Power	12 W
Cutout	160 mm
Input Voltage	AC100-265V
Luminous flux	1060 LM
Color Temperature	3000K ~ 4000K ~ 6000K
Beam angle	120°
PF	>0.9
CRI	>80
LED Lifespan	>30000 hrs

## Luminaire Data

<b>EGY 19-18RC</b>	
IP	20
Dimension	225 mm
Power	18 W
Cutout Power	210 mm
Input Voltage	AC100-265V
Luminous flux	1620 LM
Color Temperature	3000K ~ 4000K ~ 6000K
Beam angle	120°
PF	>0.9
CRI	>80
LED Lifespan	>30000 hrs

## **EGY 19-24RC**

IP	20
Dimension	254 mm
Power	24 W
Cutout Power	242 mm
Input Voltage	AC100-265V
Luminous flux	2160 LM
Color Temperature	3000K ~ 4000K ~ 6000K
Beam angle	120°
PF	>0.9
CRI	>80
LED Lifespan	>30000 hrs

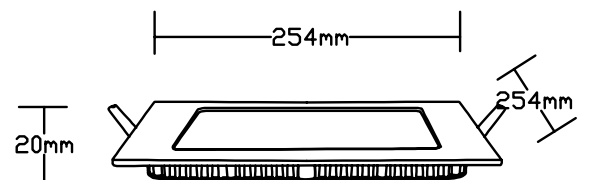
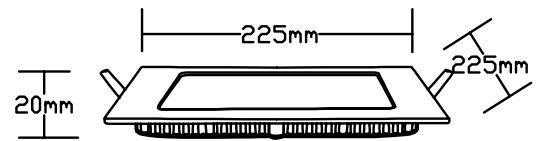
# SQUARE PANEL DOWN LIGHT

## EGY19-\*RS

### Features

EGYLUX led Panel recessed square downlight

### Dimensional Diagram



### Applications



OFFICES



CORRIDORS

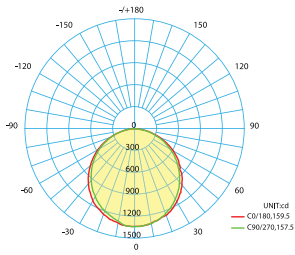


VILLAS



INDOOR

# Photometric Diagram



**PANEL  
DOWN LIGHT**

## Luminaire Data

<b>IP</b>	<b>20</b>
<b>Dimension</b>	<b>126x126 mm</b>
<b>Power</b>	<b>6 W</b>
<b>Cutout</b>	<b>110x110 mm</b>
<b>Input Voltage</b>	<b>AC100-265V</b>
<b>Luminous flux</b>	<b>540 LM</b>
<b>Color Temperature</b>	<b>3000K ~ 4000K ~ 6000K</b>
<b>Beam angle</b>	<b>120°</b>
<b>PF</b>	<b>&gt;0.9</b>
<b>CRI</b>	<b>&gt;80</b>
<b>LED Lifespan</b>	<b>&gt;30000 hrs</b>

## **EGY 19-6RS**

## **EGY 19-12RS**

<b>IP</b>	<b>20</b>
<b>Dimension</b>	<b>178x178 mm</b>
<b>Power</b>	<b>12 W</b>
<b>Cutout</b>	<b>160x160 mm</b>
<b>Input Voltage</b>	<b>AC100-265V</b>
<b>Luminous flux</b>	<b>1060 LM</b>
<b>Color Temperature</b>	<b>3000K ~ 4000K ~ 6000K</b>
<b>Beam angle</b>	<b>120°</b>
<b>PF</b>	<b>&gt;0.9</b>
<b>CRI</b>	<b>&gt;80</b>
<b>LED Lifespan</b>	<b>&gt;30000 hrs</b>

## Luminaire Data

<b>IP</b>	<b>20</b>
<b>Dimension</b>	<b>225x225 mm</b>
<b>Power</b>	<b>18 W</b>
<b>Cutout</b>	<b>210x210 mm</b>
<b>Input Voltage</b>	<b>AC100-265V</b>
<b>Luminous flux</b>	<b>1620 LM</b>
<b>Color Temperature</b>	<b>3000K ~ 4000K ~ 6000K</b>
<b>Beam angle</b>	<b>120°</b>
<b>PF</b>	<b>&gt;0.9</b>
<b>CRI</b>	<b>&gt;80</b>
<b>LED Lifespan</b>	<b>&gt;30000 hrs</b>

## **EGY 19-18RS**

## **EGY 19-24RS**

<b>IP</b>	<b>20</b>
<b>Dimension</b>	<b>254x254 mm</b>
<b>Power</b>	<b>24 W</b>
<b>Cutout</b>	<b>242x242 mm</b>
<b>Input Voltage</b>	<b>AC100-265V</b>
<b>Luminous flux</b>	<b>2160 LM</b>
<b>Color Temperature</b>	<b>3000K ~ 4000K ~ 6000K</b>
<b>Beam angle</b>	<b>120°</b>
<b>PF</b>	<b>&gt;0.9</b>
<b>CRI</b>	<b>&gt;80</b>
<b>LED Lifespan</b>	<b>&gt;30000 hrs</b>

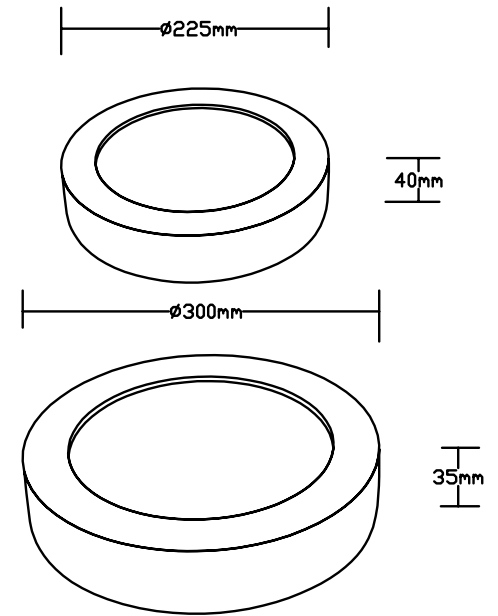


## EGY13\*\*RC

### Features

EGYLUX led Panel surface downlight made of die cast aluminum

### Dimensional Diagram

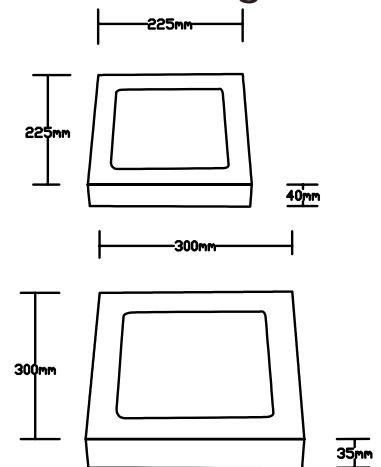


## EGY13\*\*RS

### Features

EGYLUX led Panel surface downlight made of die cast aluminum

### Dimensional Diagram



### Applications



OFFICES



CORRIDORS



VILLAS



INDOOR



**PANEL  
DOWN LIGHT**

**Luminaire Data**

	<b>EGY 13-18RC</b>
IP	20
Dimension	225x40 mm
Power	18 W
Input Voltage	AC100-265V
Luminous flux	1620 LM
Color Temperature	3000K ~ 4000K ~ 6000K
Beam angle	120°
PF	>0.9
CRI	>80
LED Lifespan	>30000 hrs

**EGY 13-24RC**

IP	20
Dimension	300x36 mm
Power	24 W
Input Voltage	AC100-265V
Luminous flux	2160 LM
Color Temperature	3000K ~ 4000K ~ 6000K
Beam angle	120°
PF	>0.9
CRI	>80
LED Lifespan	>30000 hrs

**Luminaire Data**

	<b>EGY 13-18RS</b>
IP	20
Dimension	225x225x40 mm
Power	18 W
Input Voltage	AC100-265V
Luminous flux	1620 LM
Color Temperature	3000K ~ 4000K ~ 6000K
Beam angle	120°
PF	>0.9
CRI	>80
LED Lifespan	>30000 hrs

**EGY 13-24RS**

IP	20
Dimension	300x300x36 mm
Power	24 W
Input Voltage	AC100-265V
Luminous flux	2160 LM
Color Temperature	3000K ~ 4000K ~ 6000K
Beam angle	120°
PF	>0.9
CRI	>80
LED Lifespan	>30000 hrs



# CYLINDER DOWN LIGHT

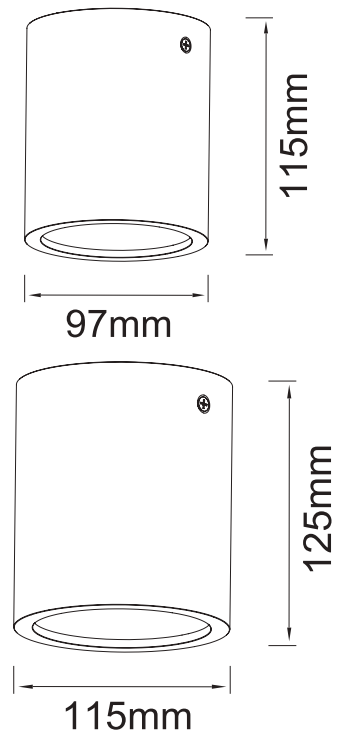


## CL60\*\*

### Features

EGYLUX led surface cylindrical downlight made of die cast aluminum

### Dimensional Diagram



### Applications



OFFICES



CORRIDORS



VILLAS



INDOOR



Luminaire Data

IP	44
Dimension	97x115 mm
Power	12 W
Input Voltage	AC90-265V
Luminous flux	840 LM
Color Temperature	3000K ~ 4000K ~ 6000K
PF	>0.9
CRI	>80
Reflector Material	Aluminum
Led type	COB
LED Lifespan	>30000 hrs

**CL6006**

**CL6008**

IP	44
Dimension	115x125 mm
Power	20 W
Input Voltage	AC90-265V
Luminous flux	1400 LM
Color Temperature	3000K ~ 4000K ~ 6000K
PF	>0.9
CRI	>80
Reflector Material	Aluminum
Led type	COB
LED Lifespan	>30000 hrs



Luminaire Data

IP	65	65	65
Dimension	125x115 mm	160x110 mm	160x110 mm
Power	10 W	20 W	30 W
Input Voltage	AC220-240V	AC220-240V	AC220-240V
Luminous flux	900 LM	1800 LM	2400 LM
Color Temperature	3000K ~ 4000K ~ 5700K		
PF	>0.9	>0.9	>0.9
CRI	>80	>80	>80
Reflector Material	Aluminum	Aluminum	Aluminum
Led type	COB	COB	COB
LED Lifespan	>30000 hrs	>30000 hrs	>30000 hrs

**CL6010**

**CL6020**

**CL6030**

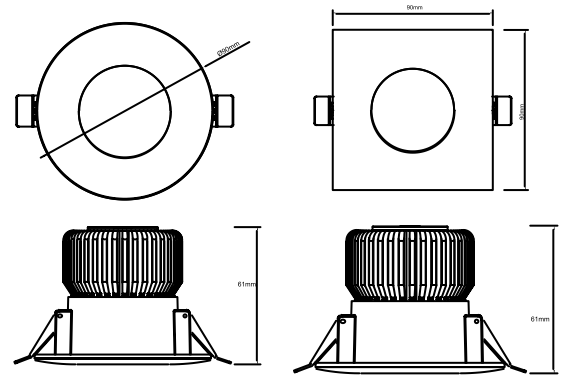
# COB SPOT DOWN LIGHT



## Features

EGYLUX led COB spot downlight

## Dimensional Diagram



## Applications



OFFICES



CORRIDORS



VILLAS



INDOOR





COB SPOT  
DOWN LIGHT

Luminaire Data

	<b>L2730-6</b>
IP	65
Dimension	90x61mm
Power	6W
Input Voltage	AC100-240V
Luminous flux	500LM
Color Temperature	3000K ~ 4000K ~ 6000K
PF	>0.9
CRI	>80
Reflector Material	Aluminum
Led type	COB
LED Lifespan	>30000 hrs

**L2830-6**

IP	65
Dimension	90x90x61mm
Power	6W
Input Voltage	AC100-240V
Luminous flux	500LM
Color Temperature	3000K ~ 4000K ~ 6000K
PF	>0.9
CRI	>80
Reflector Material	Aluminum
Led type	COB
LED Lifespan	>30000 hrs



**LED  
WEATHER  
PROOF  
LIGHT**

**03**



# LED WEATHER PROOF LIGHT



## OCEAN

### Features

Body made of injected polycarbonate ( PC ) with high impact resistance.

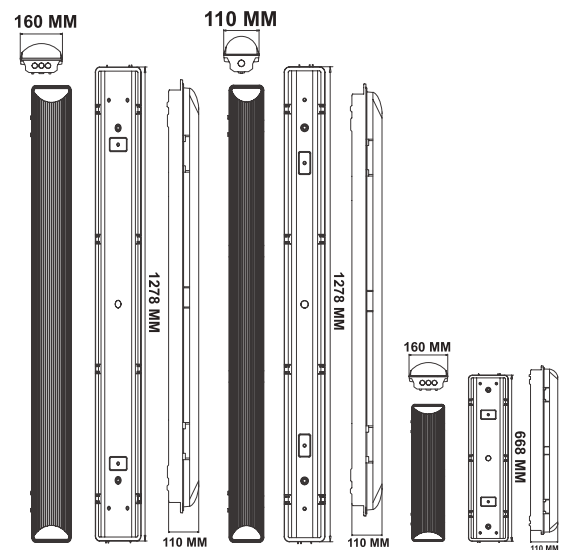
Body sealed with a foam gasket for perfect sealing between body and diffuser.

Diffuser made of transparent PC or Opal PC

( PC ) with smooth outer surface to prevent dust build - up.

Cable entry at both ends via grommets.

### Dimensional Diagram



### Applications

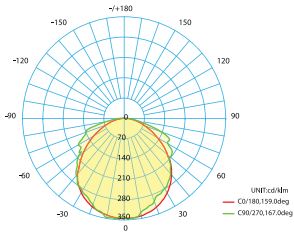


INDUSTRIAL  
AREAS



PARKING  
AREAS

# Photometric Diagram



**LED WEATHER PROOF LIGHT**

## Mechanical Technical Data

Dimension (1278x160)mm, (1278x110)mm, (668x160)mm  
 Height 110 mm  
 Diffuser Opal / Transparent Diffuser  
 IP - Rating IP 66

## Electrical Technical Data

Power Factor > 0.95  
 Input Voltage 220V – 240V AC  
 CRI ≥ 80  
 Warranty 3 Years  
 LED Lifespan >50000 hrs.  
 Chip Brand TCI/LUMILDES  
 Driver Brand TCI  
 Operational Temp. -25 °C ~ +50 °C  
 Frequency 50 / 60 Hz

## Basic Technical Data ( LED Lamp)

Model Code	Dimensions	No. Lamps	Wattage	Lamp Lumen Flux
OCE260LED	668 x 160 x 110 mm	2 Lamps	18 W	1800 Lm @ 4000 K
OCE1120LED	1278 x 110 x 110 mm	1 Lamp	18 W	1800 Lm @ 4000 K
OCE2120LED	1278 x 160 x 110 mm	2 Lamps	36 W	3600 Lm @ 4000 K

## Basic Technical Data ( LED Chip)

Model Code	Size	Wattage	Total Lumen Flux	System Efficacy
OCE26025LED-TCI-**	668 x 160 x 110 mm	25 W	3000 Lm @ 4000 K	120 lm/W
OCE26036LED-TCI-**	668 x 160 x 110 mm	36 W	4300 Lm @ 4000 K	120 lm/W
OCE26040LED-TCI-**	668 x 160 x 110 mm	40 W	4800 Lm @ 4000 K	120 lm/W
OCE112025LED-TCI-**	1278 x 110 x 110 mm	25 W	3000 Lm @ 4000 K	120 lm/W
OCE112036LED-TCI-**	1278 x 110 x 110 mm	36 W	4300 Lm @ 4000 K	120 lm/W
OCE112040LED-TCI-**	1278 x 110 x 110 mm	40 W	4800 Lm @ 4000 K	120 lm/W
OCE112045LED-TCI-**	1278 x 110 x 110 mm	45 W	5400 Lm @ 4000 K	120 lm/W
OCE212040LED-TCI-**	1278 x 160 x 110 mm	40 W	4800 Lm @ 4000 K	120 lm/W
OCE212045LED-TCI-**	1278 x 160 x 110 mm	45 W	5400 Lm @ 4000 K	120 lm/W
OCE212050LED-TCI-**	1278 x 160 x 110 mm	50 W	6000 Lm @ 4000 K	120 lm/W

Note: In case of requesting opal diffuser, add (-01) to the code in table

\*\*\*>>30>>3000K  
 \*\*\*>>40>>4000K  
 \*\*\*>>60>>5700K

# LED WEATHER PROOF LIGHT



## MARINA

### Features

Body made of injected polycarbonate with high impact resistance.

Body sealed with a foam gasket for perfect sealing between body and diffuser.

Diffuser made of transparent PC or Opal PC.

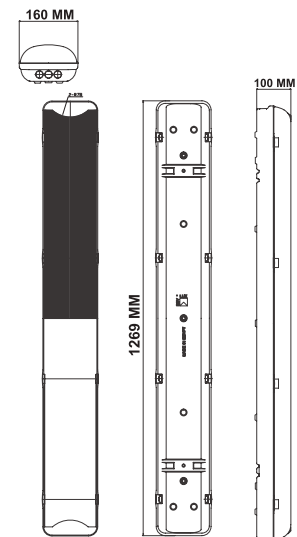
Diffuser is fixed to the body by PC clips or Stainless clips to ensure luminaires protection degree.

Cable entry at both ends via grommets.

### Installation

Easy fixing and maintenance

### Dimensional Diagram



### Applications

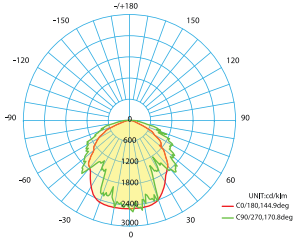


INDUSTRIAL  
AREAS



PARKING  
AREAS

# Photometric Diagram



**LED  
WEATHER  
PROOF LIGHT**

## Mechanical Technical Data

Length	1278 mm
Width	160 mm
Height	110 mm
Diffuser	Transparent / Milky PC
IP - Rating	IP 67

## Electrical Technical Data

Power Factor	> 0.95
Input Voltage	220V – 240V AC
CRI	≥ 80
Warranty	3 Years
LED Lifespan	50000 hrs.
Chip Brand	TCI/LUMILDES
Driver Brand	TCI
Operational Temp.	-25° C ~ +50° C
Frequency	50 / 60 Hz

## Basic Technical Data ( LED Lamp)

Model Code	Dimensions	No. Lamps	Wattage	Lamp Lumen Flux
MAR1120LED	1278 x 160 x 110 mm	2 Lamp	2x18 W	3600 Lm @ 4000 K
MAR2120LED	1278 x 160 x 110 mm	3 Lamps	3x18 W	5400 Lm @ 4000 K

## Basic Technical Data ( LED Chip)

Model Code	Dimensions	Wattage	Total Lumen Flux	System Efficacy
MAR212040LED-TCI-**	1278 x 160 x 110 mm	40 W	5200 Lm @ 4000 K	120 lm/W
MAR212045LED-TCI-**	1278 x 160 x 110 mm	45 W	5900 Lm @ 4000 K	120 lm/W
MAR212050LED-TCI-**	1278 x 160 x 110 mm	50 W	6500 Lm @ 4000 K	120 lm/W

Note: In case of requesting opal diffuser, add (-01) to the code in table

\*\*\*>>30>>3000K  
 \*\*\*>>40>>4000K  
 \*\*\*>>60>>5700K

# LED WEATHER PROOF LIGHT

## PORTO MARINA

### Features

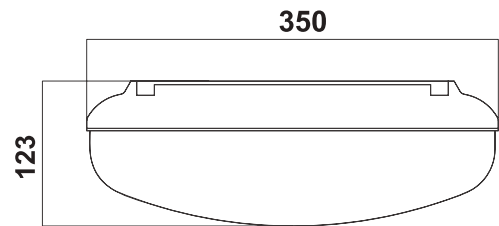
Body and Diffuser both are made of Polycarbonate.

For Wall and Ceiling mounted.

Used in Stairs, Corridors, Hotels, Clubs and Bathrooms.

Luminaire wired ready for Connection.  
attractive Colures upon request

### Dimensional Diagram



### Applications



INDUSTRIAL  
AREAS



SERVICE  
LANE



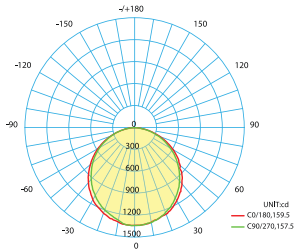
PARKING  
AREAS



PLAY  
GROUNDS



# Photometric Diagram



**LED  
WEATHER  
PROOF LIGHT**

## Mechanical Technical Data

Length	350 mm
Width	350 mm
Height	123 mm
Diffuser	Transparent / Milky PC Diffuser
IP - Rating	IP 65

## Electrical Technical Data

Power Factor	> 0.95
Input Voltage	220V – 240V AC
CRI	≥ 80
CCT	3000K ~ 4000K ~ 6500K
Warranty	3 Years
Operational Temp.	-25 °C ~ +50 °C
Frequency	50 / 60 Hz

## Basic Technical Data ( LED Chip)

Model Code	Dimensions	Wattage	Total Lumen Flux	System Efficacy
PLF090312LED-VS-**	350 x 350 x 123 mm	12W	1260 lm	105 lm/W
PLF090317LED-VS-**	350 x 350 x 123 mm	17W	1785 lm	105 lm/W
PLF090312LED-TCI-**	350 x 350 x 123 mm	12W	1260 lm	105 lm/W
PLF090317LED-TCI-**	350 x 350 x 123 mm	17W	1785 lm	105 lm/W
PLF090325LED-TCI-**	350 x 350 x 123 mm	25W	2625 lm	105 lm/W

## Basic Technical Data ( LED Lamp)

Model Code	Dimensions	No. Lamps	Wattage	Lamp Base
PLF0903100-PS	350 x 350 x 123 mm	2 Lamps	2 x 9 / 11 / 12 / 15 W	2 x E27
PLF0903100-PS-3	350 x 350 x 123 mm	3 Lamps	3 x 9 / 11 / 12 / 15 W	3 x E27

\*\*\*>>30>>3000K  
 \*\*\*>>40>>4000K  
 \*\*\*>>60>>5700K

# LED WEATHER PROOF LIGHT



## PLAFONIERE

### Features

Body is made of ABS.

Diffuser is made of polycarbonate (RONDO).

Diffuser is made of acrylic (QUATRO).

High impact resistance.

For wall and ceiling mounte.

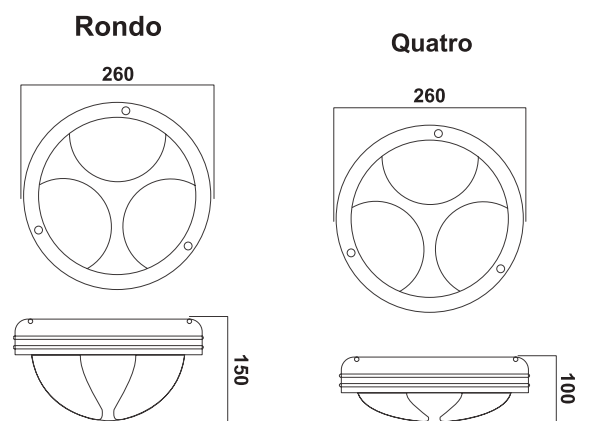
Used in stairs, corridors, hotels, clubs and bathrooms.

Luminaire wired ready for connection.

Body available in five different colors.

The product code in the product code table is white ,The code varies depending on the color.

### Dimensional Diagram



### Applications



OFFICES



CORRIDORS

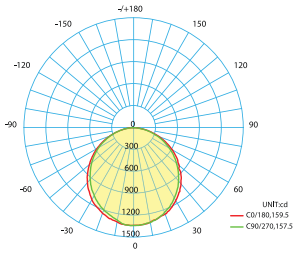


VILLAS



INDOOR

# Photometric Diagram



**LED  
WEATHER  
PROOF LIGHT**

## Mechanical Technical Data

Diameter	260 / 260 mm
Height	150 / 100 mm
Diffuser	Transparent / Milky Polycarbonate Diffuser
IP - Rating	IP 65

## Electrical Technical Data

Light Source	Lamps/Led Module
Source efficacy	100 lm/W / 150 lm/W
Color Rendering index	Ra >80
Color Temperature	3000/6500K
Beam Angle	120°
Glare Control	UGR > 20
PF	>0.90
AC operate V	220 (+/- 10%) VAC

## Basic Technical Data ( LED Chip)

Model Code	Dimensions	Wattage	Total Lumen Flux	System Efficacy
PLF0601LED0801-**	260 x 260 x 100 mm	8W	840 lm	105 lm/W
PLF0601LED1501-**	260 x 260 x 100 mm	15W	1575 lm	105 lm/W
PLF0601LED2401-**	260 x 260 x 100 mm	24W	2520 lm	105 lm/W

## Basic Technical Data ( LED Lamp)

Model Code	Dimensions	No. Lamps	Wattage	Lamp Base
PLF0601060	260 x 260 x 100 mm	1 Lamps	1 x 9 / 11 / 12 / 15 W	1xE27
PLF1201100	260 x 260 x 150 mm	1 Lamps	1 x 9 / 11 / 12 / 15 W	1xE27
PLF06010602	260 x 260 x 100 mm	2 Lamps	2 x 9 / 11 / 12 W	2xE27
PLF12011002	260 x 260 x 150 mm	2 Lamps	2 x 9 / 11 / 12 / 15 W	2xE27

\*\*\*>>30>>3000K  
 \*\*\*>>40>>4000K  
 \*\*\*>>60>>5700K



**LED  
STREET  
LIGHT**

**04**



# LED STREET LIGHT

## TROJAN

### Features

Body made of high quality Die - casted aluminum Alloy with inside & outside electrostatic coating (Anti-scratch).

Excellent Thermal Management due to housing design.

Coating layer has the lower ability of absorbing sun light so it wouldn't affect the electrical components inside.

Tempered glass with a durability rating IK09.

Electrical components are easy for connection and maintenance.

The fixture has been designed to fulfill the easiest methods for maintenance which it can be Tool-less and disassembled without using any tools.

### Installation

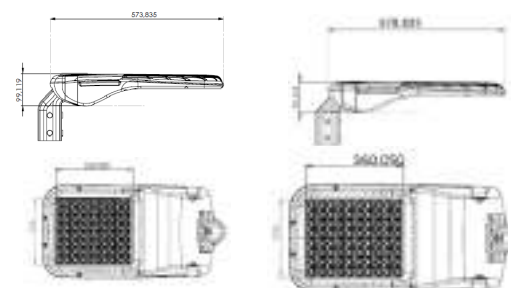
Custom Options:

Fiber Glass Poles  
Steel Poles

Mounting suitable:

60mm Diameter Pole.

### Dimensional Diagram



### Applications



INDUSTRIAL  
AREAS



SERVICE  
LANE



STREETS

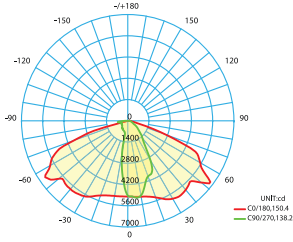


PARKING  
AREAS



PLAY  
GROUNDS

# Photometric Diagram



LED STREET LIGHT

## Mechanical Technical Data

Length	573 / 678 mm
Width	287 mm
Height	110 mm
Reflector	N/A
Diffuser	Tempered Glass Diffuser
IP - Rating	IP 66
Standard Finish	Electrostatic Powder Coating

## Electrical Technical Data

Power Factor	0.95
Input Voltage	110V – 277V AC
CRI	≥ 70
CCT	4000K ~ 5700K
Warranty	3 Years
LED Lifespan	>60000 hrs.
Chip Brand	Osram/LumiLeds
Driver Brand	Philips/Meanwell
Operational Temp.	-25 °C ~ +55 °C
Frequency	50 / 60 Hz

## Basic Technical Data

Model Code	Wattage	LED Chip Lumen Efficacy	Total Lumen Flux
EGST16050**LMLED-MN	50 W	160 Lm / W	6750 Lm @ 4000 K
EGST16075**LMLED-MN	75 W	160 Lm / W	10125 Lm @ 4000 K
EGST16100**LMLED-MN	100 W	160 Lm / W	13500 Lm @ 4000 K
EGST16140**LMLED-MN	140 W	160 Lm / W	18900 Lm @ 4000 K
EGST16175**LMLED-MN	175 W	160 Lm / W	23600 Lm @ 4000 K
EGST16210**LMLED-MN	210 W	160 Lm / W	28300 Lm @ 4000 K
EGST16250**LMLED-MN	250 W	160 Lm / W	33000 Lm @4000 K

\*\*>>30>>3000K  
 \*\*>>40>>4000K  
 \*\*>>60>>5700K

LM:FOR LUMI LED Chip  
 OS:FOR OSRAM LED Chip  
 -\*\*;PH for Philips drivers /MN for MeanWell Driver

# LED STREET LIGHT

## STELLO

### Features

Body made of high quality Die - casted aluminum Alloy with inside & outside electrostatic coating (Anti-scratch).

Excellent Thermal Management due to housing design.

Coating layer has the lower ability of absorbing sun light so it wouldn't affect the electrical components inside.

Tempered glass with a durability rating IK09.

Chip made by Osram (Oslon square )  
3 steps MAC ADAM.

Driver made by Philips.

Electrical components are easy for connection and maintenance.

The fixture has been designed to fullfill the easiest methods for maintenance which it can be Tool-less and disassembled without using any tools.

### Installation

Custom Options:

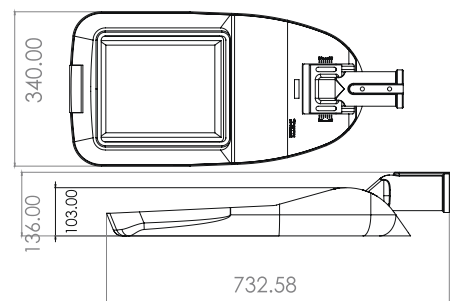
Fiber Glass Poles

Steel Poles

Mounting suitable:

60mm Diameter Pole.

### Dimensional Diagram



### Applications



INDUSTRIAL  
AREAS



SERVICE  
LANE



STREETS



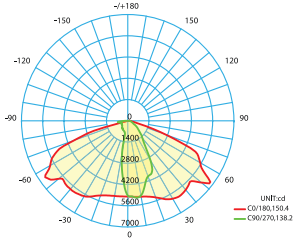
PARKING  
AREAS



PLAY  
GROUNDS



# Photometric Diagram



**LED STREET LIGHT**

## Mechanical Technical Data

Length	732 mm
Width	340 mm
Height	103 mm
Reflector	PC Frame
Diffuser	Tempered Glass Diffuser
IP - Rating	IP 66
Standard Finish	Electrostatic Powder Coating

## Electrical Technical Data

Power Factor	0.95
Input Voltage	110V – 277V AC
CRI	≥ 70
CCT	4000K ~ 5700K
Warranty	3 Years
LED Lifespan	>60000 hrs.
Chip Brand	Osram/LumiLeds
Driver Brand	Philips
Operational Temp.	-25 °C ~ +55 °C
Frequency	50 / 60 Hz

## Basic Technical Data

Model Code	Wattage	LED Chip Lumen Efficacy	Total Lumen Flux
EGST50757**OSLED	50 W	160 Lm / W	6750 Lm @ 4000 K
EGST75107**OSLED	75 W	160 Lm / W	10125 Lm @ 4000 K
EGST10080**OSLED	80 W	160 Lm / W	10800 Lm @ 4000 K
EGST10157**OSLED	100 W	160 Lm / W	13500 Lm @ 4000 K
EGST10155**OSLED	100 W	160 Lm / W	13500 Lm @ 4000 K
EGST10105**OSLED	100 W	160 Lm / W	13500 Lm @ 4000 K
EGST12157**OSLED	125 W	160 Lm / W	16800 Lm @4000K
EGST12155**OSLED	140 W	160 Lm / W	18900 Lm @4000K

\*\*\*>>30>>3000K  
 \*\*\*>>40>>4000K  
 \*\*\*>>60>>5700K

# LED STREET LIGHT

## Gold SMD

### Features

Elegant design offers excellent thermal management – Ideal heat dissipation with good quality heat sink ( Alloy ADC12 ). Housing made from High pressure die cast aluminum with Antiscratch electrostatic powder coating.

Wide operating voltage Isolated high efficiency LED driver IP67.

Low maintenance & lower payback cost. Wide beam angle & uniform light distribution.

Higher energy savings & environment friendly.

Product IP66, High Ingress protection against dust & moisture.

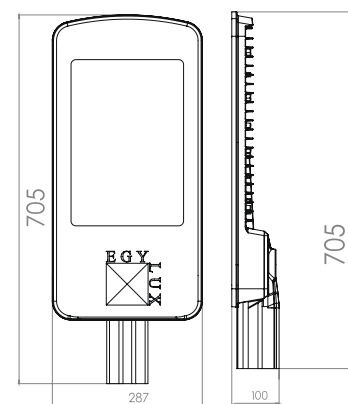
Cover made of flat tempered glass clear, Screws made of stainless steel.

### Installation

Custom Options:  
Fiber Glass Poles  
Steel Poles

Mounting suitable:  
60mm Diameter Pole.

### Dimensional Diagram



50 / 75 / 100 / 150 W

### Applications



INDUSTRIAL  
AREAS



SERVICE  
LANE



STREETS

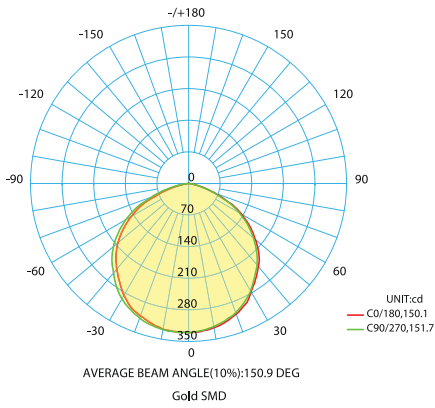


PARKING  
AREAS



PLAY  
GROUNDS

# Photometric Diagram



LED STREET LIGHT

## Mechanical Technical Data

Length	705 mm
Width	287 mm
Height	100 mm
Reflector	High mirror Aluminium
Diffuser	Tempered Glass Diffuser
IP - Rating	IP 66
Standard Finish	Electrostatic Powder Coating

## Electrical Technical Data

Power Factor	>0.95
Input Voltage	202-254VAC/100-305 VAC
CRI	≥ 70
CCT	4000K ~ 5700K
Warranty	3 Years
LED Lifespan	>60000 hrs.
Chip Brand	Osram/LumiLED
Driver Brand	Philips/MEANWELL
Operational Temp.	-25° C ~ +55° C
Frequency	50 / 60 Hz

## Basic Technical Data

Model Code	Wattage	LED Chip Lumen Efficacy	Total Lumen Flux
EGST805040OSLED -**	50 W	156 Lm / W	5966 Lm @ 4000 K
EGST807540OSLED -**	75 W	156 Lm / W	8850 Lm @ 4000 K
EGST810040OSLED -**	100 W	156 Lm / W	12300 Lm @ 4000 K
EGST815040OSLED -**	150 W	156 Lm / W	18433 Lm @ 4000 K
EGST805040LMLED-**	50 W	170 Lm / W	6786 Lm @ 4000 K
EGST807540LMLED-**	75 W	170 Lm / W	10250 Lm @ 4000 K
EGST810040LMILED-**	100 W	170 Lm / W	13500 Lm @ 4000 K
EGST815040LMILED-**	150 W	170 Lm / W	20333 Lm @ 4000 K

CODE: EGST8W*K*OSLED -**
W*: Wattage 050 / 075 / 100 / 150
K*: Kelvin 40 for 4000K 60 for 5700K

LM:FOR LUMI LED Chip
OS:FOR OSRAM LED Chip
-**:PH for Philips drivers /MN for MeanWell Driver

## Orchid Large SMD

### Features

Efficient street lighting in a decorative design, the Orchid LED luminaire is composed of a spin aluminum sheet. Electrostatic Coating with a diffuser made of Acrylic.

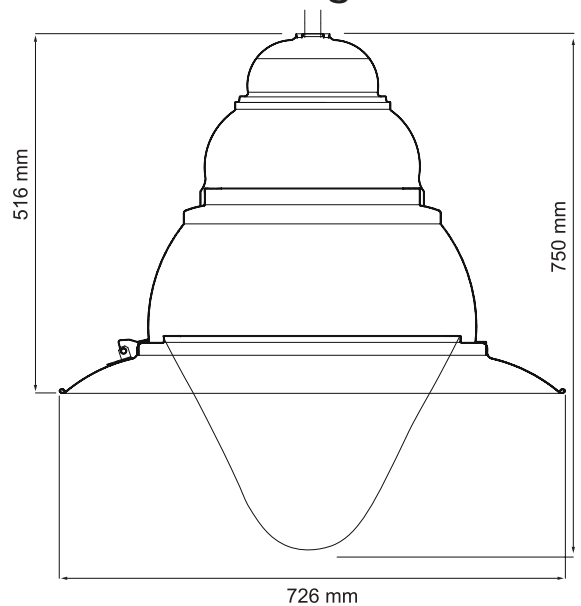
The three sizes of the orchid LED range are perfectly suitable to light streets, side streets, squares, pedestrian paths and large pavements. Isolated high efficiency LED driver IP67.

### Installation

Custom Options:

Fiber Glass Poles  
Steel Poles

### Dimensional Diagram



### Applications



INDUSTRIAL  
AREAS



SERVICE  
LANE



STREETS



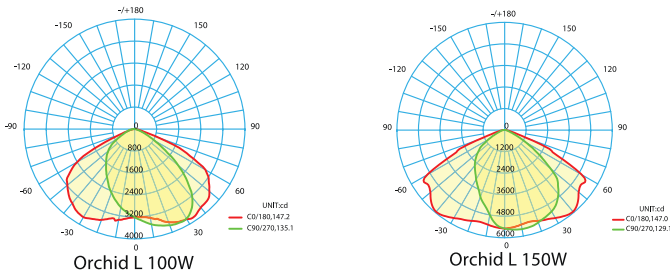
PARKING  
AREAS



PLAY  
GROUNDS



# Photometric Diagram



**LED STREET LIGHT**

## Mechanical Technical Data

Diameter	726 mm
Height	750 mm
Reflector	High mirror Aluminium
Diffuser	Acrylic
IP - Rating	IP 65
Standard Finish	Electrostatic Powder Coating

## Electrical Technical Data

Power Factor	>0.95
Input Voltage	202-254VAC/100-305 VAC
CRI	≥ 70
CCT	4000K ~ 5700K
Warranty	3 Years
LED Lifespan	>50000 hrs.
Chip Brand	Osram/Lumileds
Driver Brand	Philips/MEANWELL
Operational Temp.	-25 °C ~ +55 °C
Frequency	50 / 60 Hz

## Basic Technical Data

Model Code	Wattage	LED Chip Lumen Efficacy	Total Lumen Flux
EGSD207540OSLED -**	75 W	148 Lm / W	7700 Lm @ 4000 K
EGSD210040OSLED -**	100 W	148 Lm / W	10300 Lm @ 4000 K
EGSD215040OSLED-**	150 W	148 Lm / W	15200 Lm @ 4000 K
EGSD207540LMLED-**	75 W	170 Lm / W	7900 Lm @ 4000 K
EGSD210040LMLED-**	100 W	170 Lm / W	10600 Lm @ 4000 K
EGSD215040LMLED-**	150 W	170 Lm / W	15900 Lm @ 4000 K

CODE: EGSD2W*K*OSLED-L -**
-**:PH for Philips drivers /MN for MeanWell Driver
W*: Wattage 075 / 100 / 150
K*: Kelvin 40 for 4000K
60 for 5700K

LM:FOR LUMI LED Chip
OS:FOR OSRAM LED Chip
-**:PH for Philips drivers /MN for MeanWell Driver

## Orchid Medium SMD

### Features

Efficient street lighting in a decorative design, the Orchid LED luminaire is composed of a spin aluminum sheet. Electrostatic Coat with a diffuser made of Acrylic.

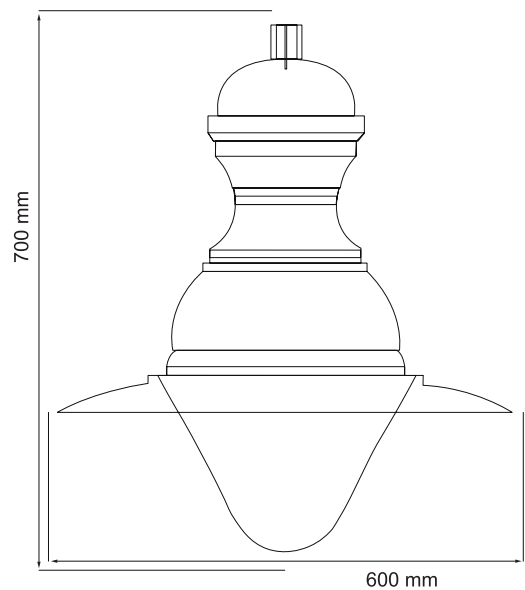
The three sizes of the orchid LED range are perfectly suitable to light streets, side streets, squares, pedestrian paths and large pavements. Isolated high efficiency LED driver IP67.

### Installation

Custom Options:

Fiber Glass Poles  
Steel Poles

### Dimensional Diagram



### Applications



INDUSTRIAL  
AREAS



SERVICE  
LANE



STREETS

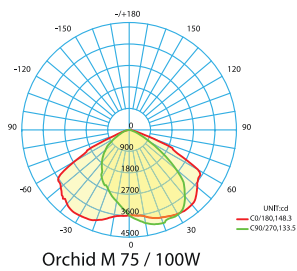
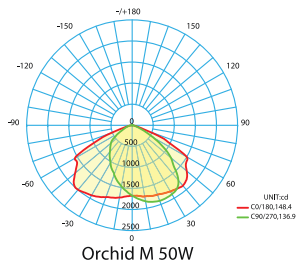


PARKING  
AREAS



PLAY  
GROUNDS

# Photometric Diagram



LED STREET LIGHT

## Mechanical Technical Data

Diameter	600 mm
Height	700 mm
Reflector	High mirror Aluminium
Diffuser	Acrylic
IP - Rating	IP 65
Standard Finish	Electrostatic Powder Coating

## Electrical Technical Data

Power Factor	>0.95
Input Voltage	202-254VAC/100-305VAC
CRI	≥ 70
CCT	4000K ~ 5700K
Warranty	3 Years
LED Lifespan	>50000 hrs.
Chip Brand	Osram/Lumileds
Driver Brand	Philips/MEANWELL
Operational Temp.	-25 °C ~ +55 °C
Frequency	50 / 60 Hz

## Basic Technical Data

Model Code	Wattage	LED Chip Lumen Efficacy	Total Lumen Flux
EGSD110040OSLED	100 W	148 Lm / W	10300 Lm @ 4000 K
EGSD115040OSLED	150 W	148 Lm / W	15100 Lm @ 4000 K
EGSD110040LMLED	100 W	170 Lm / W	11300 Lm @ 4000 K
EGSD115040LMLED	150 W	170 Lm / W	16500 Lm @ 4000 K

CODE: EGSD1W*K*OSLED
-**PH for Philips drivers /MN for MeanWell Driver
W*: Wattage 050 / 075 / 100 / 150
K*: Kelvin 40 for 4000K
60 for 5700K

## Orchid SMALL

### Features

Efficient street lighting in a decorative design, the Orchid LED luminaire is composed of a spin aluminum sheet. Electrostatic Coating with a diffuser made of Acrylic.

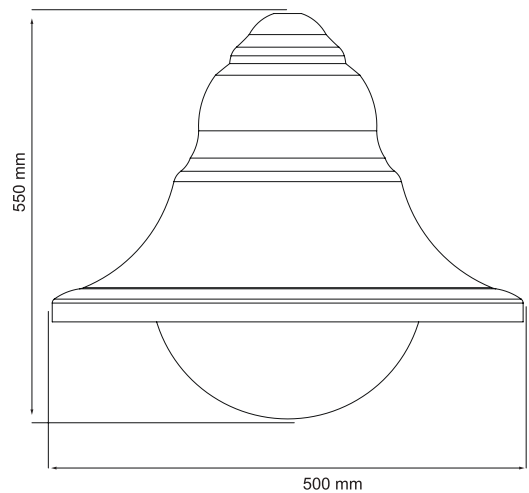
The three sizes of the orchid LED range are perfectly suitable to light streets, side streets, squares, pedestrian paths and large pavements. Isolated high efficiency LED driver IP67.

### Installation

Custom Options:

Fiber Glass Poles  
Steel Poles

### Dimensional Diagram



### Applications



INDUSTRIAL  
AREAS



SERVICE  
LANE



STREETS



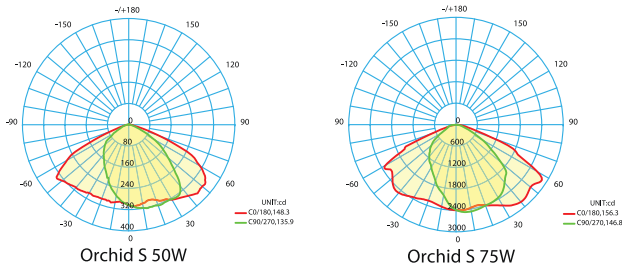
PARKING  
AREAS



PLAY  
GROUNDS



# Photometric Diagram



**LED STREET LIGHT**

## Mechanical Technical Data

Diameter	500 mm
Height	550 mm
Reflector	High mirror Aluminium
Diffuser	Acrylic
IP - Rating	IP 65
Standard Finish	Electrostatic Powder Coating

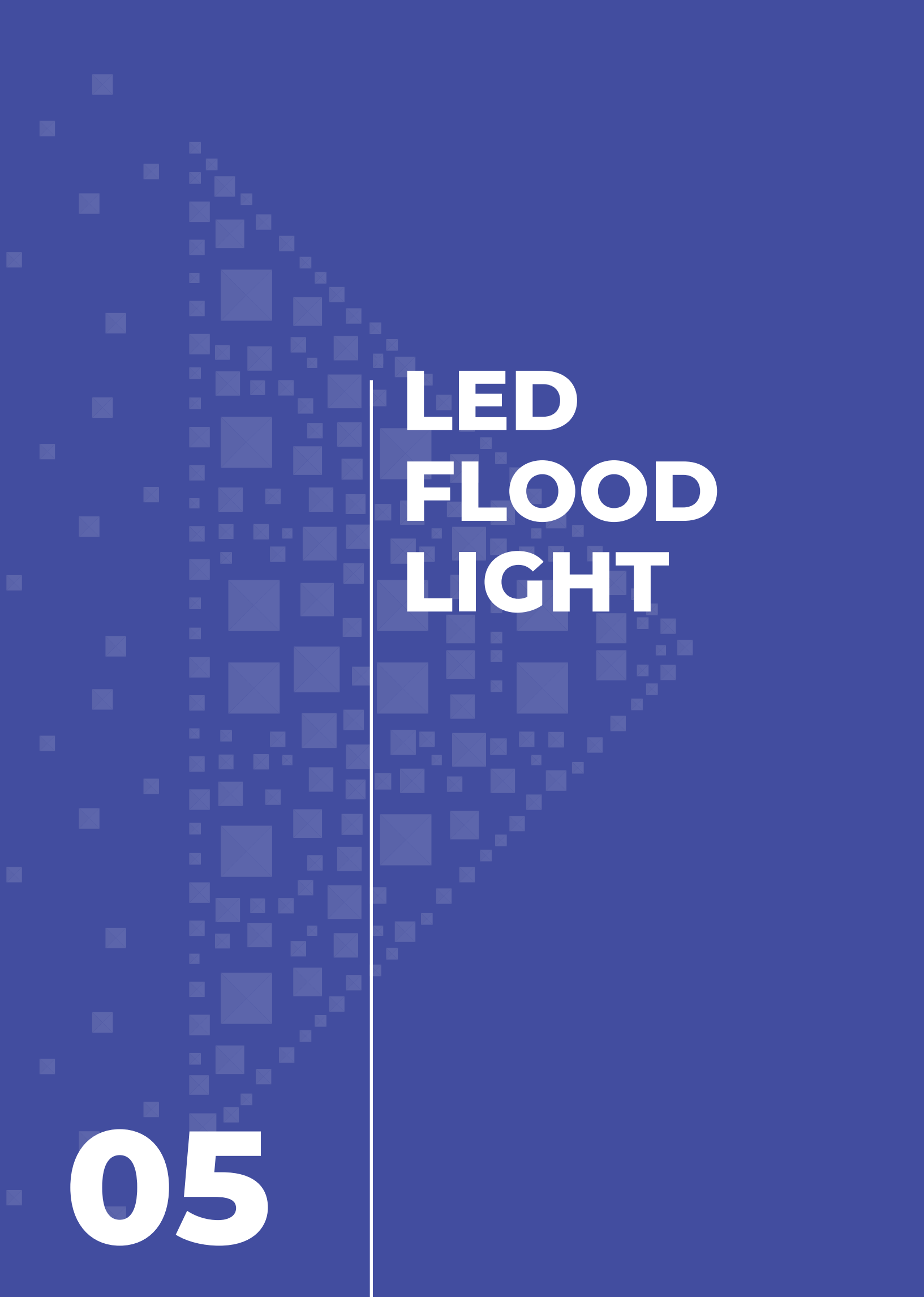
## Electrical Technical Data

Power Factor	>0.95
Input Voltage	110-277VAC/100-305 VAC
CRI	≥ 70
CCT	4000K ~ 5700K
Warranty	3 Years
LED Lifespan	>50000 hrs.
Chip Brand	Osram
Driver Brand	Philips/MEANWELL
Operational Temp.	-25°C ~ +55°C
Frequency	50 / 60 Hz

## Basic Technical Data

Model Code	Wattage	LED Chip Lumen Efficacy	Total Lumen Flux
EGSD405040OSLED-L -**	50 W	156 Lm / W	4900 Lm @ 4000 K
EGSD407540OSLED-L -**	75 W	156 Lm / W	7500 Lm @ 4000 K

CODE: EGSD4W*K*OSLED-L -**
-**:PH for Philips drivers /MN for MeanWell Driver
W*: Wattage 050 / 075
K*: Kelvin 40 for 4000K
57 for 5700K



# LED FLOOD LIGHT

# 05



# LED FLOOD LIGHT



## LED Flood Light

### Features

Elegant Special Design Housing made of high pressure die cast aluminum heat sinks with anti-scratch electrostatic powder coating.  
Beam Angle 120°.

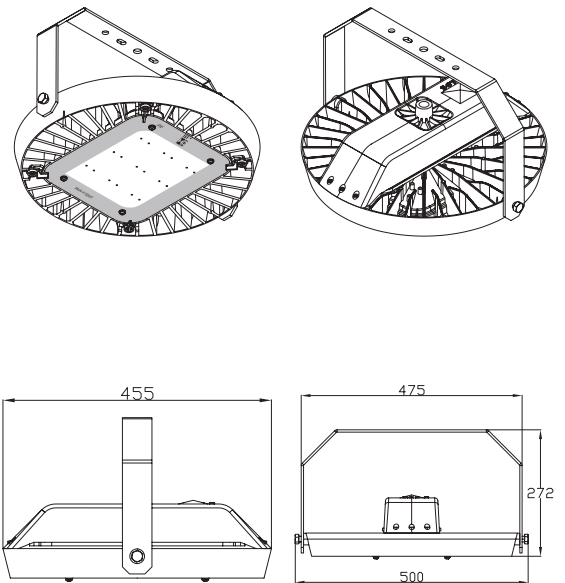
Perfectly solve the problem of heat dissipation to protect the service life of light resource.

Multi angle flexible adjustment.  
Tempered glass clear cover.  
Screws made of stainless steel.

### Installation

Extensive mounting Options.

### Dimensional Diagram



### Applications



INDUSTRIAL  
AREAS



SERVICE  
LANE

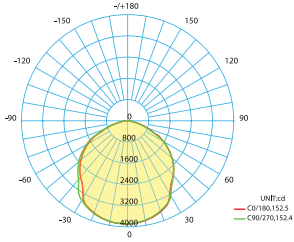


PARKING  
AREAS



PLAY  
GROUNDS

# Photometric Diagram



**LED FLOOD LIGHT**

## Mechanical Technical Data

Diameter	455 mm
Width with Arm	475 mm
Height with Arm	272 mm
Diffuser	Tempered Glass Diffuser
IP - Rating	IP 66
Standard Finish	Electrostatic Powder Coating

## Electrical Technical Data

Power Factor	>0.95
CRI	≥ 80
CCT	4000-5700K
Warranty	3 Years
LED Lifespan	>50000 hrs.
Chip Brand	Osram/LumiLED
Driver Brand	Philips/Meanwell
Operational Temp.	-25° C ~ +55° C
Frequency	50 / 60 Hz

## Basic Technical Data

Model Code	Wattage	LED Chip Lumen Efficacy	Total Lumen Flux
EGYFLO-050W-LED-SMD-OS -**-60	50 W	148 Lm / W	5500 Lm @ 5700 K
EGYFLO-100W-LED-SMD-OS -**-60	100 W	148 Lm / W	11000 Lm @ 5700 K
EGYFLO-150W-LED-SMD-OS -**-60	150 W	148 Lm / W	16500 Lm @ 5700 K
EGYFLO-200W-LED-SMD-OS -**-60	200 W	148 Lm / W	22000 Lm @ 5700 K
EGYFLO-050W-LED-SMD-LM -**-60	50 W	170 Lm / W	6750 Lm @ 5700 K
EGYFLO-100W-LED-SMD-LM -**-60	100 W	170 Lm / W	13500 Lm @ 5700 K
EGYFLO-150W-LED-SMD-LM -**-60	150 W	170 Lm / W	20500 Lm @ 5700 K
EGYFLO-200W-LED-SMD-LM -**-60	200 W	170 Lm / W	27000 Lm @ 5700 K

CODE: EGYFLO-100W-LED-SMD-OS-**-60
-**:PH for Philips drivers /MN for MeanWell Driver
40: Kelvin 40 for 4000K
60 for 5700K

LM:FOR LUMI LED Chip
OS:FOR OSRAM LED Chip

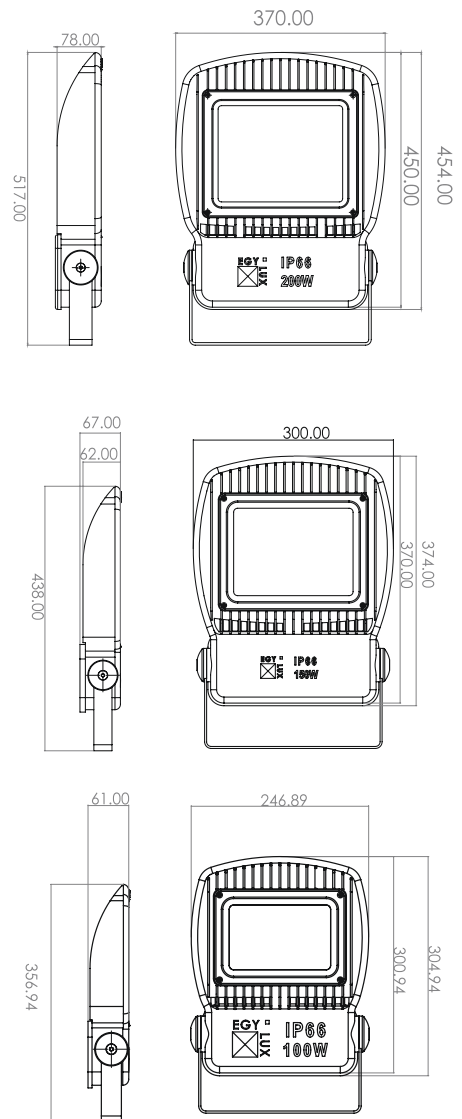
## Flood Light SMD SQUARE

### Features

Housing made of high pressure die cast aluminum with anti scratch electrostatic powder coating.

Stainless steel screws.  
Silicone gaskets.

### Dimensional Diagram



### Applications



INDUSTRIAL  
AREAS



SERVICE  
LANE

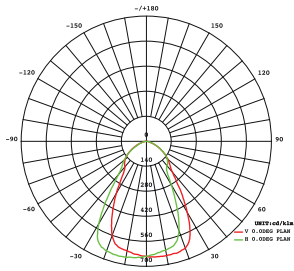


PARKING  
AREAS



PLAY  
GROUNDS

## Photometric Diagram



LED FLOOD  
LIGHT

## Mechanical Technical Data

Installation	By mounting bracket
Depth / Height	78/67/61 mm
Length	454/374/305
Width / Diameter	370/300/247 mm
IP - Rating	IP 66
IK - Rating	IK 08
Fixture Material	Die cast Aluminium
Standard Finish	Electrostatic Grey
Custom Colour	Available

## Electrical Technical Data

Power Factor	>0.95
CRI	≥ 80
CCT	4000-5700K
Warranty	3 Years
LED Lifespan	>50000 hrs.
Chip Brand	LumiLED
Driver Brand	DONE
Operational Temp.	-25 °C ~ +55 °C
Frequency	50 / 60 Hz

## Basic Technical Data

Model Code	Wattage	Total Luminous Flux	System Efficacy
EGYFLO-100W-LED-SMD-HC-**	100 W	11000 lm	110 lm/W
EGYFLO-150W-LED-SMD-HC-**	150 W	16500 lm	110 lm/W
EGYFLO-200W-LED-SMD-HC-**	200 W	22000 lm	110 lm/W

\*\*\*!>>30>>3000K  
 \*\*\*!>>40>>4000K  
 \*\*\*!>>60>>5700K

# LED FLOOD LIGHT



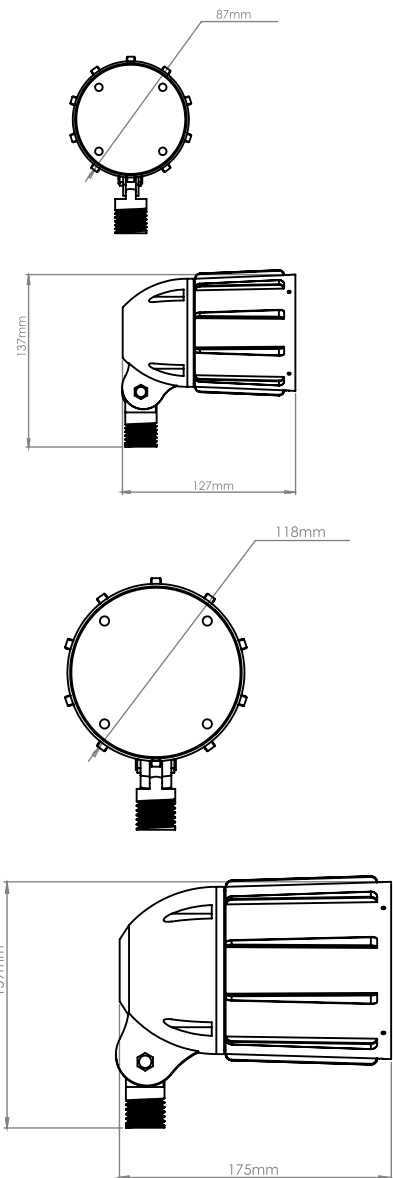
## Vienna

### Features

Housing made of high pressure die cast aluminum with anti scratch electrostatic powder coating.

Stainless steel screws.  
Silicone gaskets.

### Dimensional Diagram



### Applications



INDUSTRIAL  
AREAS



SERVICE  
LANE



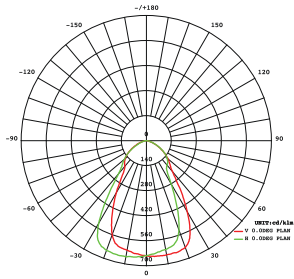
PARKING  
AREAS



PLAY  
GROUNDS



## Photometric Diagram



LED FLOOD  
LIGHT

## Mechanical Technical Data

Installation	By Base
Height	127/175 mm
Diameter	87/118 mm
IP - Rating	IP 65
Material Standard	Die cast Aluminium
Finish Custom	Electrostatic Grey
Colour	Availiable

## Electrical Technical Data

Power Factor	>0.95
CRI	≥ 80
CCT	3000K
Warranty	3 Years
LED Lifespan	>50000 hrs.
Chip Brand	LumiLED
Driver Brand	EGYLUX
Operational Temp.	-25° C ~ +55° C
Frequency	50 / 60 Hz

## Basic Technical Data

Model Code	Wattage	Total Luminous Flux	System Efficacy
EGYFLO12W-RC	12 W	1440 lm	120 lm/W
EGYFLO30W-RC	30 W	3600 lm	120 lm/W
EGYFLO40W-RC	40 W	4800 lm	120 lm/W

# LED FLOOD LIGHT



## Atlantic

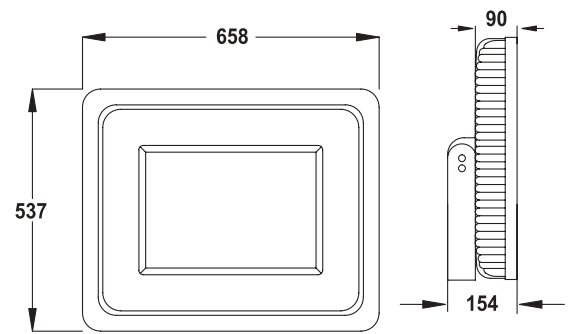
### Features

Housing made of high pressure die cast aluminum with anti scratch electrostatic powder coating.

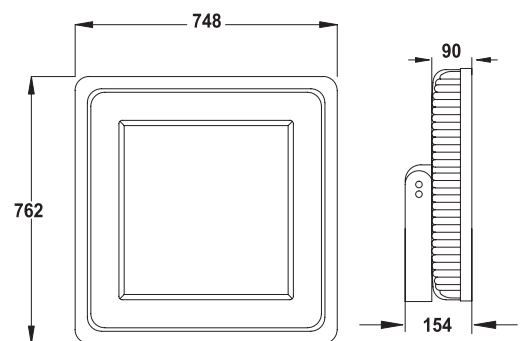
Clear toughened glass 4 mm thick  
Stainless steel screws.

Stainless steel screws.  
Silicone gaskets.

### Dimensional Diagram



400W/500W/600W



800W/1000W

### Applications



INDUSTRIAL  
AREAS



SERVICE  
LANE

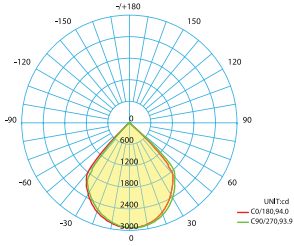


PARKING  
AREAS



PLAY  
GROUNDS

# Photometric Diagram



**LED FLOOD LIGHT**

## Mechanical Technical Data

Length	658 mm / 748 mm
Width	537 mm / 762 mm
Height	90 mm / 90 mm
Reflector	High mirror Aluminium
Diffuser	Tempered Glass Diffuser
IP - Rating	66
Standard Finish	Electrostatic Powder Coating

## Electrical Technical Data

Power Factor	>0.95
Input Voltage	105-305 VAC
CRI	≥ 80
CCT	5700K
Warranty	3 Years
LED Lifespan	>50000 hrs.
Chip Brand	Philips
Driver Brand	Meanwell
Operational Temp.	-40 °C ~ +50 °C
Frequency	50 / 60 Hz

## Basic Technical Data

Model Code	Wattage	Total Lumen Flux	System Efficacy
EGYFLO400W-SQ	400 W	48000 Lm @ 5700 K	120 lm/W
EGYFLO500W-SQ	500 W	60000 Lm @ 5700 K	120 lm/W
EGYFLO600W-SQ	600 W	72000 Lm @ 5700 K	120 lm/W
EGYFLO800W-SQ	800 W	96000 Lm @ 5700 K	120 lm/W
EGYFLO1000W-SQ	1000 W	120000 Lm @ 5700 K	120 lm/W

# LED FLOOD LIGHT



## Milano

### Features

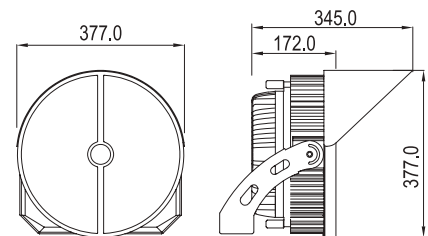
PRO-Capital range includes spot and flood projectors, available in different dimensions and versions.

Housing made of high pressure die cast aluminum with anti scratch electrostatic powder coating.

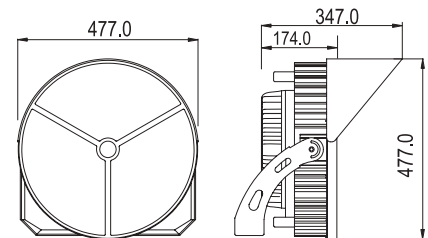
### Installation

Easy fixing and maintenance

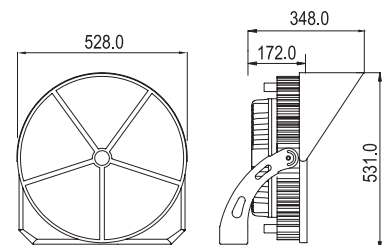
### Dimensional Diagram



300W/400W/500W



600W/750W



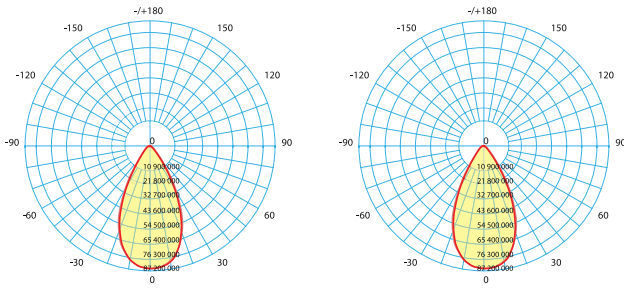
950W/1200W

### Applications



PLAY  
GROUNDS

# Photometric Diagram



**LED FLOOD LIGHT**

## Mechanical Technical Data

Wattage	300W / 400W / 500W	600W / 750W	950W / 1200W
Length	377 mm	477 mm	528 mm
Width	345 mm	347 mm	348 mm
Height	172 mm	174 mm	192 mm
Diffuser	PMMA Diffuser		
IP - Rating	IP 66		
Standard Finish	Electrostatic Powder Coating		

## Electrical Technical Data

Power Factor	>0.95
Input Voltage	200-250 VAC
CRI	≥ 80
CCT	5700K
Warranty	3 Years
LED Lifespan	>100,000 hrs.
Chip Brand	Nichia
Driver Brand	Meanwell
Operational Temp.	-40 °C ~ +50 °C
Frequency	50 / 60 Hz

## Basic Technical Data

Model Code	Wattage	Total Lumen Flux	System Efficacy
EGYFLO300W - ST	300 W	39000 Lm @ 5700 K	130 lm/W
EGYFLO400W - ST	400 W	52000 Lm @ 5700 K	130 lm/W
EGYFLO500W - ST	500 W	55000 Lm @ 5700 K	110 lm/W
EGYFLO600W - ST	600 W	78000 Lm @ 5700 K	130 lm/W
EGYFLO750W - ST	750 W	82000 Lm @ 5700 K	110 lm/W
EGYFLO900W - ST	900 W	117000 Lm @ 5700 K	130 lm/W
EGYFLO1200W - ST	1200 W	132000 Lm @ 5700 K	110lm/W



# **LED LOW BAY LIGHT**

# **06**



# LED LOW BAY LIGHT



## LED SMD Low Bay

### Features

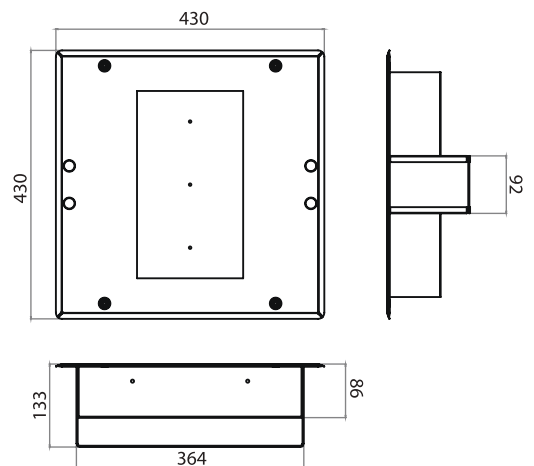
LED low-bay lighting is ideal for low ceiling applications. A great general purpose option for commercial outdoor lighting fixtures.

The luminaire is designed to provide ultimate light output.

Housing made of coated steel body with aluminum heat sink plate.

Screws made of stainless steel.

### Dimensional Diagram



### Applications



INDUSTRIAL  
AREAS



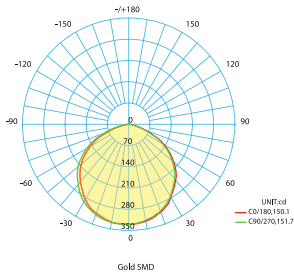
STATIONS



PARKING  
AREAS



# Photometric Diagram



**LED LOW  
BAY LIGHT**

## Mechanical Technical Data

Length	430 mm
Width	430 mm
Cut Out	364x364 mm
Height	133 mm
Diffuser	Tempered Glass Diffuser
IP - Rating	65
IK	08
Standard Finish	Electrostatic Powder Coating

## Electrical Technical Data

Power Factor	> 0.95
Input Voltage	202-254VAC/100-305 VAC
CRI	≥ 70
CCT	4000K ~ 5700K
Warranty	3 Years
LED Lifespan	>50000 hrs.
Chip Brand	Osram/LumiLED
Driver Brand	Philips/MEANWELL
Operational Temp.	-25 °C ~ +55 °C
Frequency	50 / 60 Hz

## Basic Technical Data

Model Code	Wattage	LED Chip Lumen Efficacy	Total Lumen Flux
ERLB4050LED-SMD-OS-**-40	50 W	156 Lm / W	5500 Lm @ 5700 K
ERLB4075LED-SMD-OS-**-40	75 W	156 Lm / W	8250 Lm @ 5700 K
ERLB4100LED-SMD-OS-**-40	100 W	156 Lm / W	11000 Lm @ 5700 K
ERLB4150LED-SMD-OS-**-40	150 W	156 Lm / W	16450 Lm @ 5700 K
ERLB4050LED-SMD-LM-**-40	50 W	170 Lm / W	6000 Lm @ 5700 K
ERLB4075LED-SMD-LM-**-40	75 W	170 Lm / W	9000 Lm @ 5700 K
ERLB4100LED-SMD-LM-**-40	100 W	170 Lm / W	12000 Lm @ 5700 K
ERLB4150LED-SMD-LM-**-40	150 W	170 Lm / W	18000 Lm @ 5700 K

CODE: ERLB4150LED-SMD-LM-**-40
-**:PH for Philips drivers /MN for MeanWell Driver
W*: Wattage 050 / 075 / 100 / 150
K*: Kelvin 40 for 4000K
60 for 5700K

LM:FOR LUMI LED Chip
OS:FOR OSRAM LED Chip



# **LED HIGH BAY LIGHT**

# **07**



# LED HIGH BAY LIGHT



## LED SMD High Bay

### Features

Special Design Housing made of high pressure die cast aluminum heat sink with anti scratch electrostatic powder coating.

Perfectly solve the problem of heat dissipation to protect the service life of light resource.  
Tempered glass clear cover.

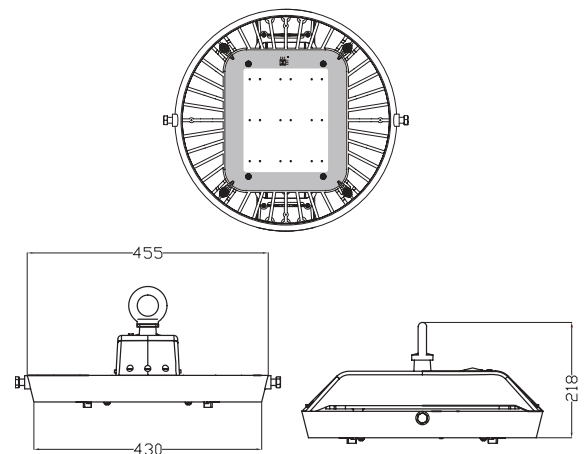
screws made of stainless steel.

Aluminum reflector can be installed as special case.

### Installation

Rod or Chain installation.

### Dimensional Diagram



### Applications



INDUSTRIAL  
AREAS

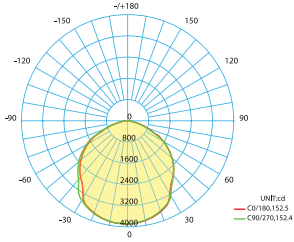


STATIONS



PARKING  
AREAS

# Photometric Diagram



**LED HIGH BAY LIGHT**

## Mechanical Technical Data

Length	455 mm
Height	218 mm
Diffuser	Tempered Glass Diffuser
IP - Rating	IP 66
IK	08
Standard Finish	Electrostatic Powder Coating

## Electrical Technical Data

Power Factor	> 0.95
CRI	≥ 70
CCT	4000-5700K
Warranty	3 Years
LED Lifespan	>50000 hrs.
Chip Brand	Osram/LumiLED
Driver Brand	Philips/Meanwell
Operational Temp.	-25 °C ~ +55 °C
Frequency	50 / 60 Hz

## Basic Technical Data

Model Code	Wattage	LED Chip Lumen Efficacy	Total Lumen Flux
EGYIND-050W-LED-SMD-OS -**-60	50 W	148 Lm / W	5500 Lm @ 5700 K
EGYIND-100W-LED-SMD-OS -**-60	100 W	148 Lm / W	11000 Lm @ 5700 K
EGYIND-150W-LED-SMD-OS -**-60	150 W	148 Lm / W	16500 Lm @ 5700 K
EGYIND-200W-LED-SMD-OS -**-60	200 W	148 Lm / W	22000 Lm @ 5700 K
EGYIND-050W-LED-SMD-LM -**-60	50 W	170 Lm / W	6750 Lm @ 5700 K
EGYIND-100W-LED-SMD-LM -**-60	100 W	170 Lm / W	13500 Lm @ 5700 K
EGYIND-150W-LED-SMD-LM -**-60	150 W	170 Lm / W	20200 Lm @ 5700 K
EGYIND-200W-LED-SMD-LM -**-60	200 W	170 Lm / W	27000 Lm @ 5700 K

CODE: EGYIND-100W-LED-SMD-OS-**-60
-**:PH for Philips drivers /MN for MeanWell Driver
40: Kelvin 40 for 4000K
60 for 5700K

LM:FOR LUMI LED Chip
OS:FOR OSRAM LED Chip



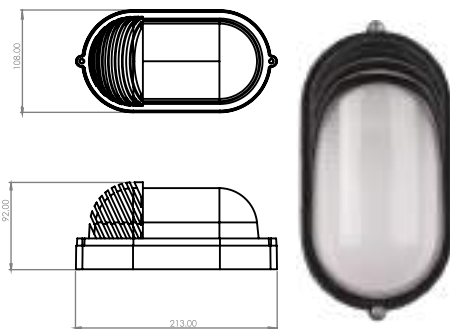
# WALL LUMINAIRES

08

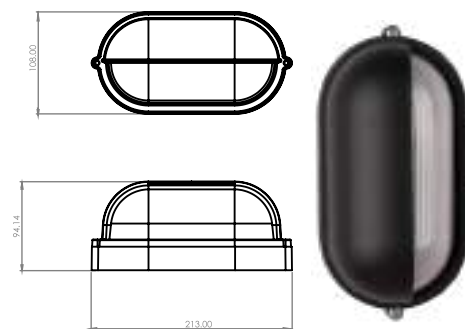




**BLK3028**



**BLK3023**



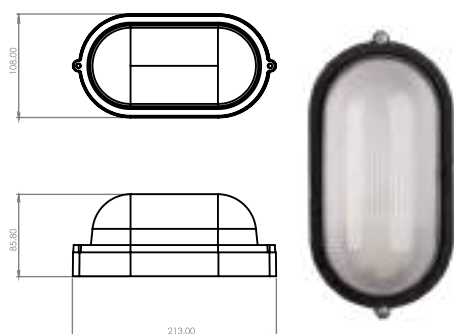
## Mechanical & Electrical Technical Data

Length/Diameter	213 mm	213 mm
Width	107 mm	107 mm
Height	95 mm	95 mm
Body Material	Die Cast Aluminium	Die Cast Aluminium
Diffuser	Tempered Glass	Tempered Glass
Reflector	Aluminium Diffuser	Aluminium Diffuser
IP - Rating	IP 54	IP 54
Standard Finish	Electrostatic Painted	Electrostatic Painted
Power Factor	>0.9	>0.9
Wattage (Lamp)	5W/9W/12W	5W/9W/12W
Input Voltage	220-240VAC	220-240VAC
Operational Temp.	10~45C	10~45C
Frequency	50 / 60 Hz	50 / 60 Hz

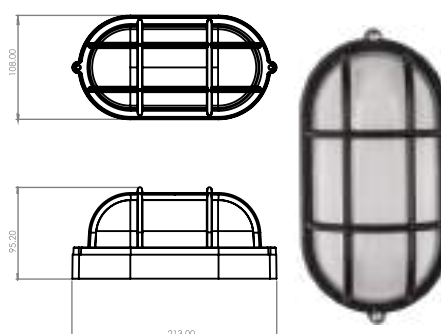




BLK3022



BLK3021

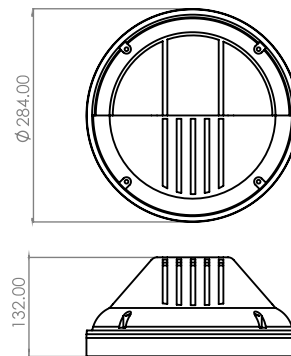
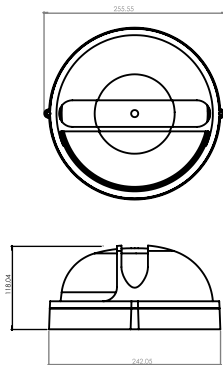


## Mechanical & Electrical Technical Data

Length/Diameter	213 mm	213 mm
Width	107 mm	107 mm
Height	95 mm	95 mm
Body Material	Die Cast Aluminium	Die Cast Aluminium
Diffuser	Tempered Glass	Tempered Glass
Reflector	Aluminium Diffuser	Aluminium Diffuser
IP - Rating	IP 54	IP 54
Standard Finish	Electrostatic Painted	Electrostatic Painted
Power Factor	>0.9	>0.9
Wattage (Lamp)	5W/9W/12W	5W/9W/12W
Input Voltage	220-240VAC	220-240VAC
Operational Temp.	10~45C	10~45C
Frequency	50 / 60 Hz	50 / 60 Hz



BLK3073



BLK3273



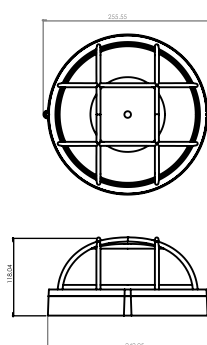
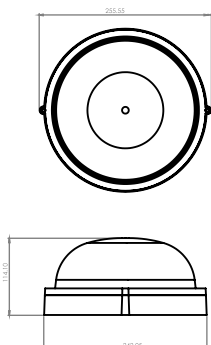
## Mechanical & Electrical Technical Data

Length/Diameter	258 mm	284 mm
Width	n/a	n/a
Height	125 mm	132 mm
Body Material	Die Cast Aluminium	Die Cast Aluminium
Diffuser	Tempered Glass	Tempered Glass
Reflector	Aluminium Diffuser	Aluminium Diffuser
IP - Rating	IP 54	IP 54
Standard Finish	Electrostatic Painted	Electrostatic Painted
Power Factor	>0.9	>0.9
Wattage (Lamp)	9W/12W	9W/12W/15W
Input Voltage	220-240VAC	220-240VAC
Operational Temp.	10~45C	10~45C
Frequency	50 / 60 Hz	50 / 60 Hz



BLK3012

BLK3011



## Mechanical & Electrical Technical Data

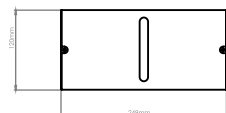
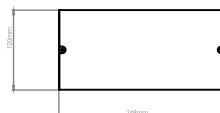
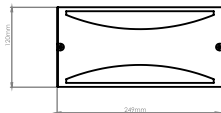
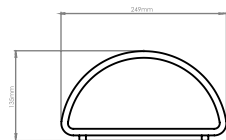
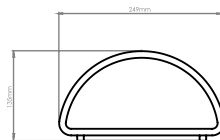
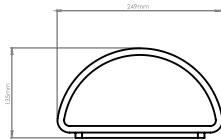
Length/Diameter	254 mm	254 mm
Width	n/a	n/a
Height	128 mm	128 mm
Body Material	Die Cast Aluminium	Die Cast Aluminium
Diffuser	Tempered Glass	Tempered Glass
Reflector	Aluminium Diffuser	Aluminium Diffuser
IP - Rating	IP 54	IP 54
Standard Finish	Electrostatic Painted	Electrostatic Painted
Power Factor	>0.9	>0.9
Wattage (Lamp)	9W/12W/15W/2*9W/2*12W/2*15W	9W/12W/15W/2*9W/2*12W/2*15W
Input Voltage	220-240VAC	220-240VAC
Operational Temp.	10~45C	10~45C
Frequency	50 / 60 Hz	50 / 60 Hz



BLK3301

BLK3303

BLK3304



## Mechanical & Electrical Technical Data

Length/Diameter	249 mm	249 mm	249 mm
Width	120 mm	120 mm	120 mm
Height	135 mm	135 mm	135 mm
Body Material	Die Cast Aluminium	Die Cast Aluminium	Die Cast Aluminium
Diffuser	Opal Diffuser	Opal Diffuser	Opal Diffuser
Reflector	Aluminium Diffuser	Aluminium Diffuser	Aluminium Diffuser
IP - Rating	IP 54	IP 54	IP 54
Standard Finish	Electrostatic Painted	Electrostatic Painted	Electrostatic Painted
Power Factor	>0.9	>0.9	>0.9
Wattage (Lamp)	9W/12W/15W	9W/12W/15W	9W/12W/15W
Input Voltage	220-240VAC	220-240VAC	220-240VAC
Operational Temp.	10~45C	10~45C	10~45C
Frequency	50 / 60 Hz	50 / 60 Hz	50 / 60 Hz





**LED  
DECORATIVE  
FAMILIES**

**09**

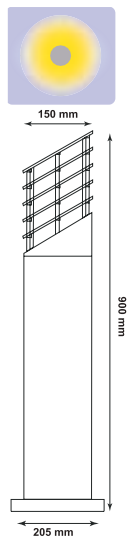


# LED DECORATIVE BOLLARD

## LED DECORATIVE BOLLARD LIGHT



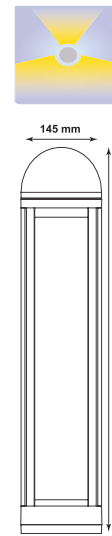
BLD 86



BLD 90



BLD 91



### Mechanical & Electrical Technical Data

Length/Diameter	205 mm	145 mm	145 mm
Width	205 mm	145 mm	145 mm
Height	900 mm	800 mm	800 mm
Body Material	Die - Cast Aluminum	Die - Cast Aluminum	Die - Cast Aluminum
Diffuser	opal polycarbonate	Glass	Glass
IP - Rating	IP 54	IP 54	IP 54
Standard Finish		Electrostatic Powder coating	
Power Factor	> 0.95	> 0.95	> 0.95
Wattage (Lamp)	9 / 11 / 15 W	8 W	8 W
Input Voltage	220V - 240V AC	220V - 240V AC	220V - 240V AC
Total Lumen Output	as per lamp	760 Lm	760 Lm
LED Lifespan	30000 hrs.	30000 hrs.	30000 hrs.
Operational Temp.	-25 °C ~ +50 °C	-25 °C ~ +50 °C	-25 °C ~ +50 °C
Frequency	50 / 60 Hz	50 / 60 Hz	50 / 60 Hz
Chip		LED COB CREE	LED COB CREE



# LED DECORATIVE BOLLARD LIGHT

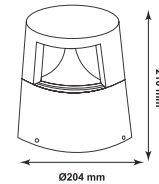
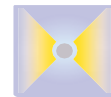
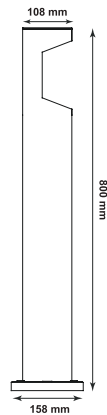
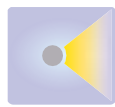


LED  
DECORATIVE  
BOLLARD



BLD 92

BLD 94



## Mechanical & Electrical Technical Data

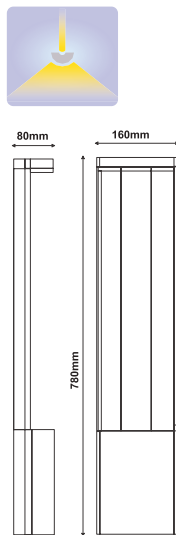
Length	158 mm	204 mm
Width	158 mm	204 mm
Height	800 mm	210 mm
Body Material	Aluminum	Die - Cast Aluminum
Diffuser	Glass	Polycarbonate
IP - Rating	IP 54	IP 65
Standard Finish	Electrostatic Powder coating	
Power Factor	> 0.95	> 0.95
Wattage (Lamp)	8 W	12 W
Input Voltage	220V - 240V AC	220V - 240V AC
Total Lumen Output	760 Lm	1200 Lm
LED Lifespan	30000 hrs.	30000 hrs.
Operational Temp.	-25 °C ~ +50 °C	-25 °C ~ +50 °C
Frequency	50 / 60 Hz	50 / 60 Hz
Chip	EPISTER	LED COB CREE

# LED DECORATIVE FAMILIES

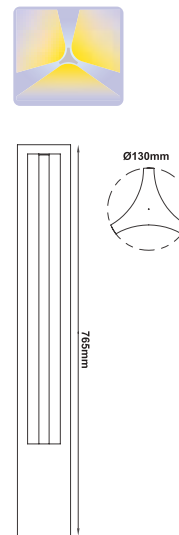
## LED DECORATIVE STEP LIGHT



BLD 95



BLD 96

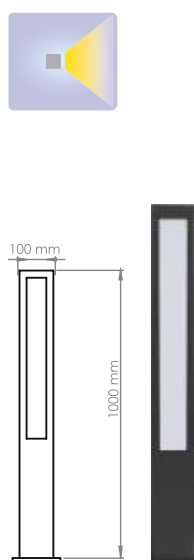


### Mechanical & Electrical Technical Data

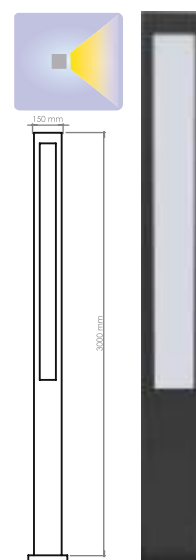
Length	160 mm	130 mm
Width	80 mm	130 mm
Height	780 mm	765 mm
Body Material	Die - Cast Aluminum	Die - Cast Aluminum
Diffuser	Opal Polycarbonate	Opal Polycarbonate
IP - Rating	IP 54	IP 54
Standard Finish	Electrostatic Powder Coating	Electrostatic Powder Coating
Power Factor	> 0.95	> 0.95
Wattage (Lamp)	10 W	10 W
Input Voltage	220V - 240V AC	220V - 240V AC
Total Lumen Output	720 Lm	720 Lm
LED Lifespan	30000 hrs.	30000 hrs.
Operational Temp.	-25 °C ~ +50 °C	-25 °C ~ +50 °C
Frequency	50 / 60 Hz	50 / 60 Hz
Chip	LED SMD EPISTER	LED COB EPISTER



MK1



MK3



## Mechanical & Electrical Technical Data

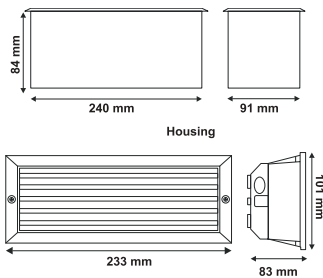
Length	100 mm	150 mm
Width	100 mm	150 mm
Height	1000 mm	3000 mm
Body Material	Aluminum	Aluminum
Diffuser	Opal Polycarbonate	Opal Polycarbonate
IP - Rating	IP 54	IP 54
Standard Finish	Electrostatic Powder Coating	Electrostatic Powder Coating
Power Factor	> 0.95	> 0.95
Wattage (Lamp)	18 W	40 W
Input Voltage	220V – 240V AC	220V – 240V AC
Total Lumen Output	1600 Lm	3600 Lm
LED Lifespan	50000 hrs.	50000 hrs.
Operational Temp.	-25° C ~ +50° C	-25° C ~ +50° C
Frequency	50 / 60 Hz	50 / 60 Hz
Chip	TCI	TCI

# LED DECORATIVE FAMILIES

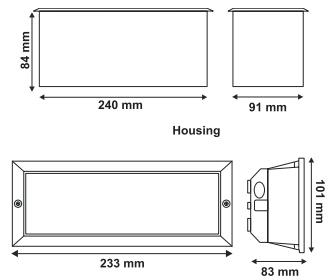
## LED DECORATIVE STEP LIGHT



3131



3132



### Mechanical & Electrical Technical Data

Length	233 mm	233 mm
Width	101 mm	101 mm
Depth	84 mm	84 mm
Body Material	Die - Cast Aluminum	Die - Cast Aluminum
Diffuser	Glass/Opal PC	Glass/Opal PC
IP - Rating	IP 54	IP 54
Standard Finish	Electrostatic Powder Coating	Electrostatic Powder Coating
Power Factor	> 0.95	> 0.95
Wattage (Lamp)	9 / 12 W/LED strip 6w	9 / 12 W/LED strip 6w
Input Voltage	220V – 240V AC	220V – 240V AC
LED Lifespan	25000 hrs.	25000 hrs.
Chip Brand	TCI	TCI
Operational Temp.	-25° C ~ +45° C	-25° C ~ +45° C
Frequency	50 / 60 Hz	50 / 60 Hz

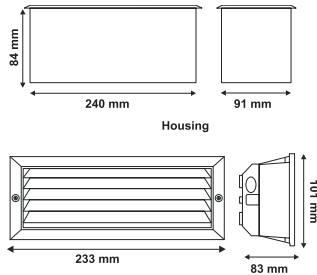
# LED DECORATIVE STEP LIGHT



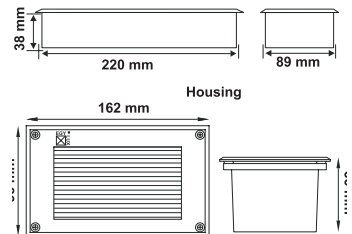
LED  
DECORATIVE  
STEP LIGHT



3133



3134



## Mechanical & Electrical Technical Data

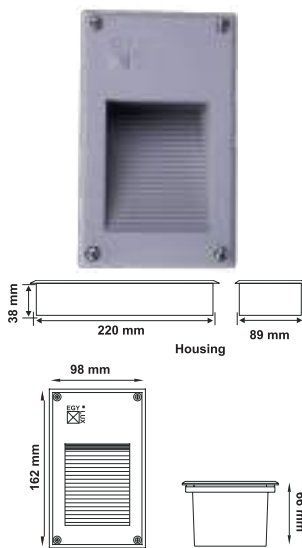
Length	233 mm	162 mm
Width	101 mm	98 mm
Height	84 mm	66 mm
Body Material	Die - Cast Aluminum	Die - Cast Aluminum
Diffuser	Glass/Opal PC	Glass /Opal PC
IP - Rating	IP 54	IP 54
Standard Finish	Electrostatic Powder Coating	
Power Factor	> 0.95	> 0.95
Wattage (Lamp)	9 / 12 W LED strip 6w	2 / 3 W /LED strip 4w
Input Voltage	220V – 240V AC	220V – 240V AC
LED Lifespan	25000 hrs.	25000 hrs.
Chip Brand	TCI	TCI
Operational Temp.	-25° C ~ +45° C	-25° C ~ +50° C
Frequency	50 / 60 Hz	50 / 60 Hz

# LED DECORATIVE FAMILIES

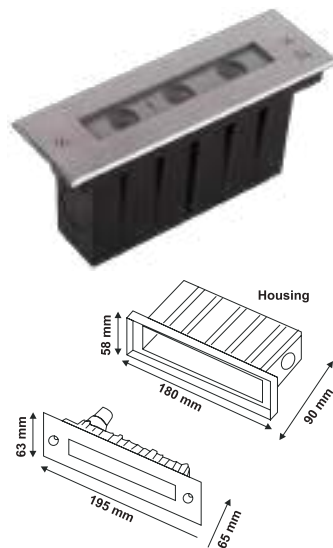
## LED DECORATIVE STEP LIGHT



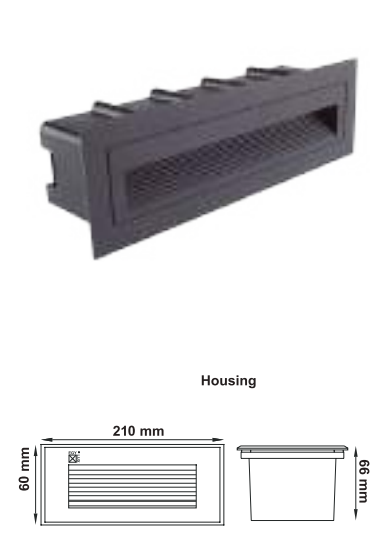
3135



7013-L



3136



### Mechanical & Electrical Technical Data

Length	98 mm	195 mm	210 mm
Width	162 mm	63 mm	60 mm
Depth	66 mm	90 mm	66 mm
Body Material	Die - Cast Aluminum	Stainless	Die - Cast Aluminum
Diffuser	Glass	Glass	Glass
IP - Rating	IP 54	IP 65	IP 65
Power Factor	> 0.95	> 0.95	> 0.95
Wattage (Lamp)	2 / 3 W	6 W	6 W
Input Voltage	220V – 240V AC	220V – 240V AC	220V – 240V AC
Total Lumen Output	- Lm	720 Lm	500 Lm
LED Lifespan	30000 hrs.	30000 hrs.	30000 hrs.
Chip Brand	EPISTER	LED Osram Lens	SAMSUNG
Operational Temp.	-25 °C ~ +50 °C	-25 °C ~ +50 °C	-25 °C ~ +50 °C
Frequency	50 / 60 Hz	50 / 60 Hz	50 / 60 Hz

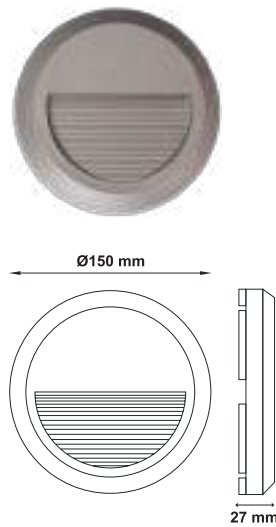
# LED DECORATIVE STEP LIGHT



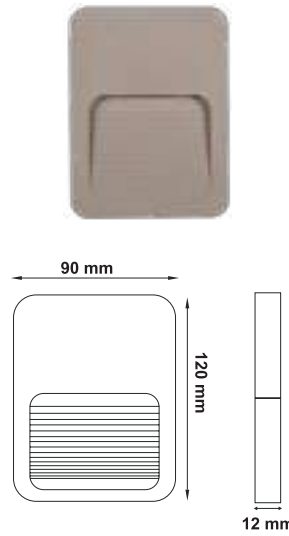
LED  
DECORATIVE  
STEP LIGHT



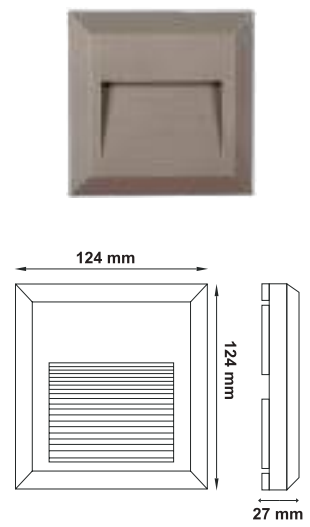
ST-4062



ST-4065



ST-4061



## Mechanical & Electrical Technical Data

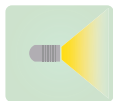
Length	150 mm	90 mm	124 mm
Width	n/a	120 mm	124 mm
Depth	27 mm	12 mm	27 mm
Body Material	Polycarbonate	Polycarbonate	Polycarbonate
Diffuser	Polycarbonate	Polycarbonate	Polycarbonate
IP - Rating	IP 65	IP 65	IP 65
Power Factor	> 0.95	> 0.95	> 0.95
Wattage (Lamp)	2 W	2 W	2 W
Input Voltage	220V – 240V AC	220V – 240V AC	220V – 240V AC
Total Lumen Output	80 Lm	126 Lm	80 Lm
LED Lifespan	30000 hrs.	30000 hrs.	30000 hrs.
Chip Brand	LED EPISTER	LED EPISTER	LED EPISTER
Operational Temp.	-25°C ~ +50°C	-25°C ~ +50°C	-25°C ~ +50°C
Frequency	50 / 60 Hz	50 / 60 Hz	50 / 60 Hz

# LED DECORATIVE FAMILIES

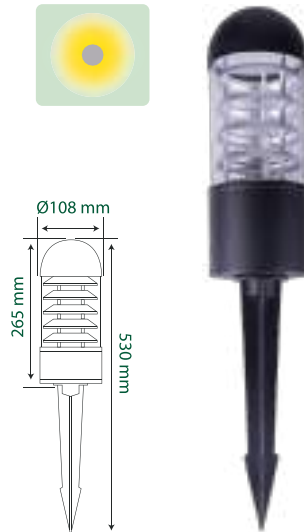
## LED DECORATIVE EARTH SPIKE



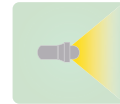
5001 - 20



5001 - 24



5001 - 25



### Mechanical & Electrical Technical Data

Diameter	105 mm	108 mm	160 mm
Height	465 mm	530 mm	510 mm
Body Material	Die - Cast Aluminum	Die - Cast Aluminum	Die - Cast Aluminum
Diffuser	Glass	PC	Glass
IP - Rating	IP 65	IP 54	IP 65
Standard Finish		Electrostatic Powder Coating	
Power Factor	> 0.95	> 0.95	> 0.95
Wattage (Lamp)	8 W	9/11 W	9/11/15 W
Input Voltage	220V – 240V AC	220V – 240V AC	220V – 240V AC
Total Lumen Output	760 Lm	as per lamp	as per lamp
LED Lifespan	30000 hrs.	25000 hrs.	25000 hrs.
Chip Brand	CREE	CANYON	CANYON
Operational Temp.	-25 °C ~ +50 °C	-25 °C ~ +50 °C	-25 °C ~ +50 °C
Frequency	50 / 60 Hz	50 / 60 Hz	50 / 60 Hz



# LED DECORATIVE EARTH SPIKE



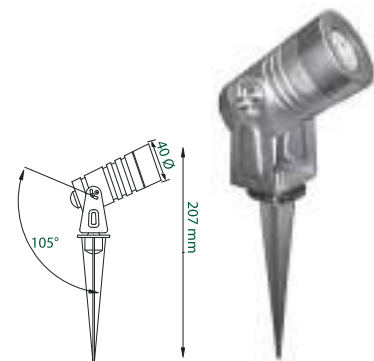
LED  
DECORATIVE  
EARTH SPIKE



5001 - 26



5001 - 27



## Mechanical & Electrical Technical Data

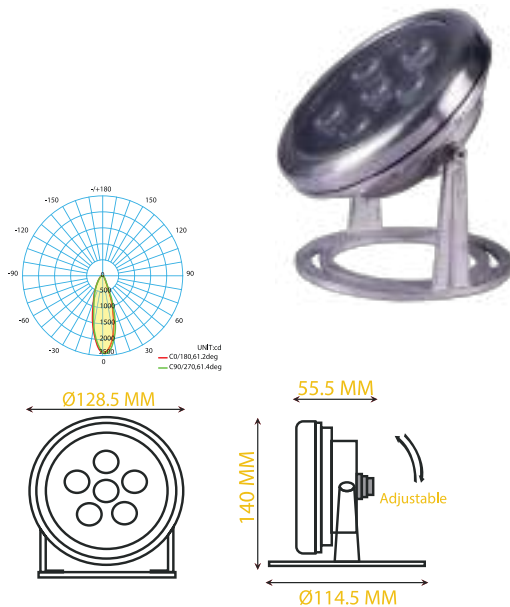
Diameter	160 mm	40 mm
Height	510 mm	207 mm
Body Material	Die - Cast Aluminum	Anodized Aluminum
Diffuser	Glass	Glass
IP - Rating	IP 65	IP 65
Standard Finish	Electrostatic Powder Coating	
Power Factor	> 0.95	> 0.95
Wattage (Lamp)	9/11/15 W	3 W
Input Voltage	220V – 240V AC	220V – 240V AC
Total Lumen Output	as per lamp	260 Lm
LED Lifespan	25000 hrs.	30000 hrs.
Chip Brand	CANYON	LED COB CREE
Operational Temp.	-25° C ~ +50° C	-25° C ~ +50° C
Frequency	50 / 60 Hz	50 / 60 Hz

# LED DECORATIVE FAMILIES

## LED DECORATIVE FOUNTAIN AND POOLS LIGHT



UW1506R / UW1506W



UW1612R / UW1612W



### Mechanical & Electrical Technical Data

Diameter	128.5 mm	192 mm
Height	140 mm	203 mm
Body Material	Stainless Steel 316	Stainless Steel 316
Diffuser	Glass	Glass
IP - Rating	IP 68	IP 68
Power Factor	> 0.95	> 0.95
Wattage	6 W	12 W
Input Voltage	12 VAC	12 VAC
Total Lumen Output	540 Lm	1080 Lm
Color Temp.	RGB / 3000K	RGB / 3000K
LED Lifespan	30000 hrs.	30000 hrs.
Chip Brand	LG	LG
Operational Temp.	-25 °C ~ +50 °C	-25 °C ~ +50 °C
Frequency	50 / 60 Hz	50 / 60 Hz

# LED DECORATIVE FOUNTAIN AND POOLS LIGHT



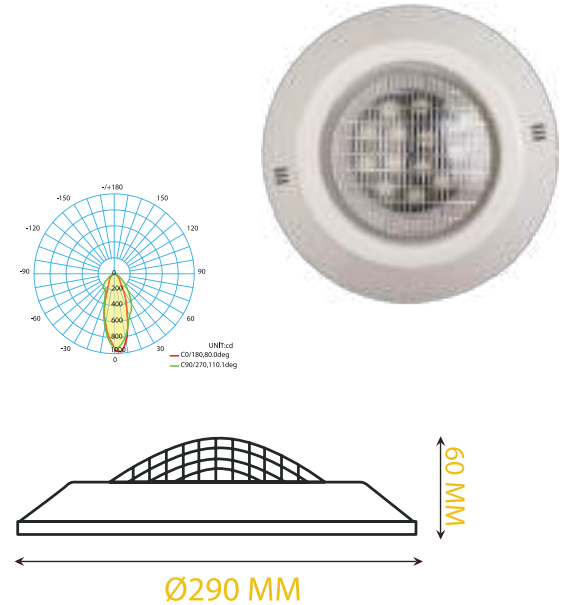
LED  
DECORATIVE  
FOUNTAIN &  
POOLS LIGHT



UW4018R / UW4018W



UW5012R / UW5012W



## Mechanical & Electrical Technical Data

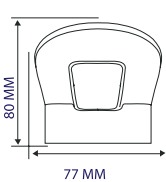
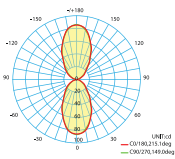
Diameter	214 mm	290 mm
Height	220 mm	60 mm
Body Material	Stainless Steel 316	Polycarbonate
Diffuser	Glass	Polycarbonate
IP - Rating	IP 68	IP 68
Power Factor	> 0.95	> 0.95
Wattage (Lamp)	18 W	12 W
Input Voltage	12 VAC	12 VAC
Total Lumen Output	1620 Lm	600 Lm
Color Temp.	RGB / 3000K	RGB / 3000K
LED Lifespan	30000 hrs.	30000 hrs.
Chip Brand	LG	LG
Operational Temp.	-25 °C ~ +50 °C	-25 °C ~ +50 °C
Frequency	50 / 60 Hz	50 / 60 Hz

# LED DECORATIVE FAMILIES

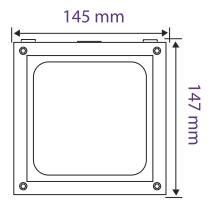
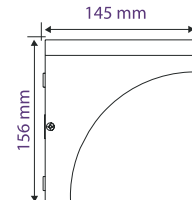
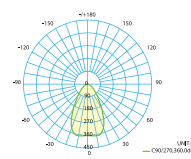
## LED DECORATIVE UP & DOWN LIGHT



6011



6019



### Mechanical & Electrical Technical Data

Length	238 mm
Width	77 mm
Height	80 mm
Body Material	Die - Cast Aluminum
Diffuser	Glass
Reflector	N/A
IP - Rating	IP 54
Standard Finish	Electrostatic Powder Coating
Power Factor	> 0.95
Wattage	8 W
Input Voltage	220V – 240V AC
Total Lumen Output	600 Lm
LED Lifespan	30000 hrs.
Chip	EVER LIGHT
Operational Temp.	-25° C ~ +50° C
Frequency	50 / 60 Hz

Length	147 mm
Width	145 mm
Height	156 mm
Body Material	Die - Cast Aluminum
Diffuser	Glass
Reflector	Aluminum
IP - Rating	IP 54
Power Factor	> 0.95
Wattage	12 W
Input Voltage	220V – 240V AC
Total Lumen Output	1200 Lm
LED Lifespan	30000 hrs.
Chip	LED COB CREE
Operational Temp.	-25° C ~ +50° C
Frequency	50 / 60 Hz

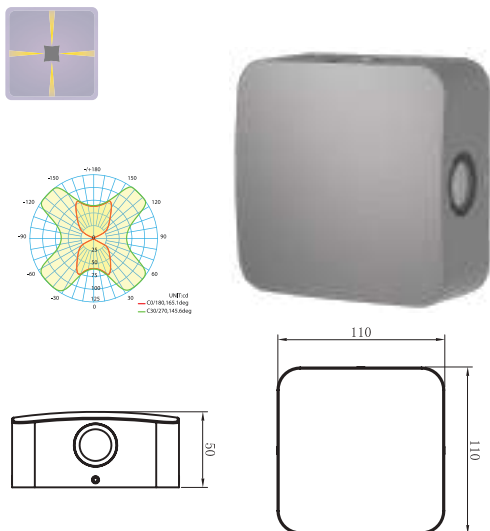
# LED DECORATIVE UP & DOWN LIGHT



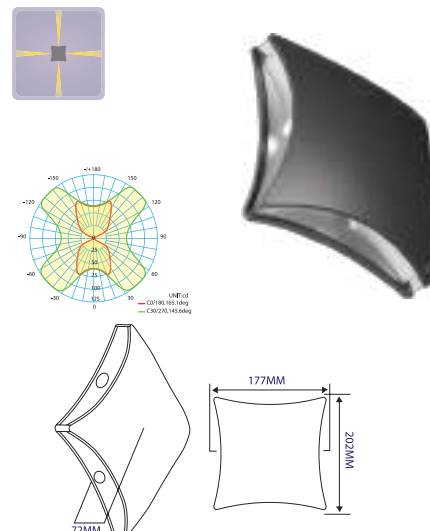
LED  
DECORATIVE  
UP & DOWN  
LIGHT



6020



6021



## Mechanical & Electrical Technical Data

Length	110 mm	202 mm
Width	110 mm	177 mm
Height	50 mm	72 mm
Body Material	Die - Cast Aluminum	Die - Cast Aluminum
Diffuser	Polycarbonate	Polycarbonate
IP - Rating	IP 54	IP 54
Standard Finish	Electrostatic Powder Coating	Electrostatic Powder Coating
Power Factor	> 0.95	> 0.95
Wattage	4 W	4 W
Input Voltage	220V – 240V AC	220V – 240V AC
Total Lumen Output	360 Lm	360 Lm
LED Lifespan	30000 hrs.	30000 hrs.
Chip	LED COP EPISTER	LED COP EPISTER
Operational Temp.	-25° C ~ +50° C	-25° C ~ +50° C
Frequency	50 / 60 Hz	50 / 60 Hz

# LED DECORATIVE FAMILIES

## LED DECORATIVE UP & DOWN LIGHT



6022

6030



### Mechanical & Electrical Technical Data

Length	165 mm		320 mm
Width	106 mm		148 mm
Height	114 mm		221 mm
Body Material	Die - Cast Aluminum		Die - Cast Aluminum
Diffuser			Glass
IP - Rating	IP 54		IP 65
Standard Finish		Electrostatic Powder Coating	
Power Factor	> 0.95		> 0.95
Wattage	5 W		2 x 9 / 12 / 15 W
Input Voltage	220V - 240V AC		220V - 240V AC
Total Lumen Output	as per lamp		as per lamp
LED Lifespan	25000 hrs.		25000 hrs.
Operational Temp.	-25 °C ~ +45 °C		-10 °C ~ +45 °C
Frequency	50 / 60 Hz		50 / 60 Hz

# LED DECORATIVE UP & DOWN LIGHT

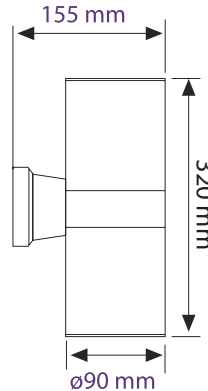
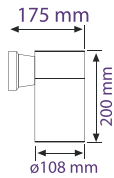
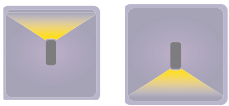


LED  
DECORATIVE  
UP & DOWN  
LIGHT



6033A

6034



## Mechanical & Electrical Technical Data

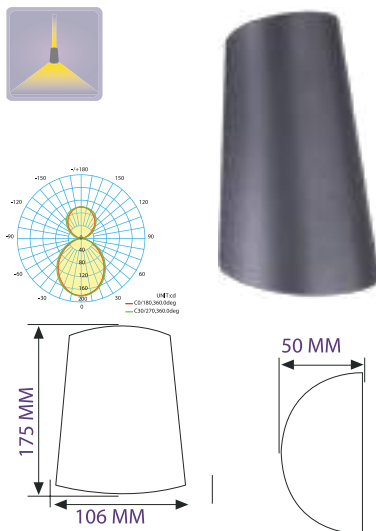
Length	200 mm	320 mm
Width	108 mm	90 mm
Height	175 mm	155 mm
Body Material	Die - Cast Aluminum	Die - Cast Aluminum
Diffuser	Glass	Glass
IP - Rating	IP 54	IP 54
Standard Finish		Electrostatic Powder Coating
Power Factor	> 0.95	> 0.95
Wattage	9 / 12 / 15 W	2 x 5 / 9 / 12 W
Input Voltage	220V – 240V AC	220V – 240V AC
Total Lumen Output	as per lamp	as per lamp
LED Lifespan	25000 hrs.	25000 hrs.
Operational Temp.	-10 °C ~ +45 °C	-10 °C ~ +45 °C
Frequency	50 / 60 Hz	50 / 60 Hz

# LED DECORATIVE FAMILIES

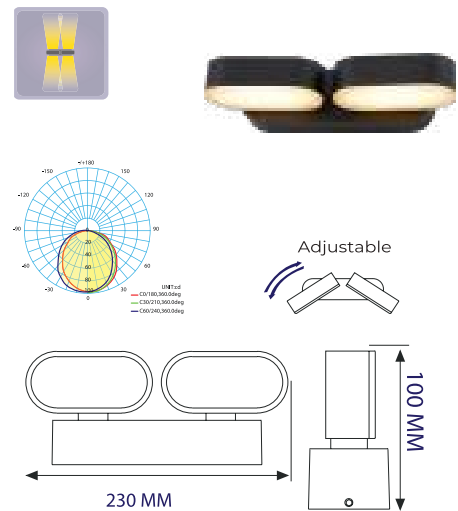
## LED DECORATIVE UP & DOWN LIGHT



6070



6082



### Mechanical & Electrical Technical Data

Length	175 mm	230 mm
Width	106 mm	50 mm
Height	50 mm	100 mm
Body Material	Die - Cast Aluminum	Die - Cast Aluminum
Diffuser	Glass	Glass
IP - Rating	IP 54	IP 54
Standard Finish	Electrostatic Powder Coating	Electrostatic Powder Coating
Power Factor	> 0.95	> 0.95
Wattage	7 W	13 W
Input Voltage	220V - 240V AC	220V - 240V AC
Total Lumen Output	350 Lm	650 Lm
LED Lifespan	30000 hrs.	30000 hrs.
Chip	CREE	EVER LIGHT LED
Operational Temp.	-25 °C ~ +50 °C	-25 °C ~ +50 °C
Frequency	50 / 60 Hz	50 / 60 Hz



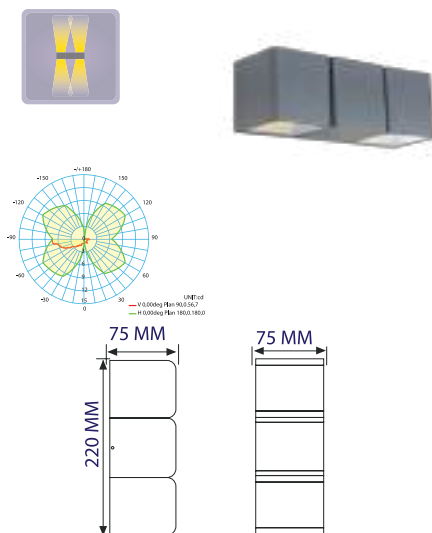
# LED DECORATIVE UP & DOWN LIGHT



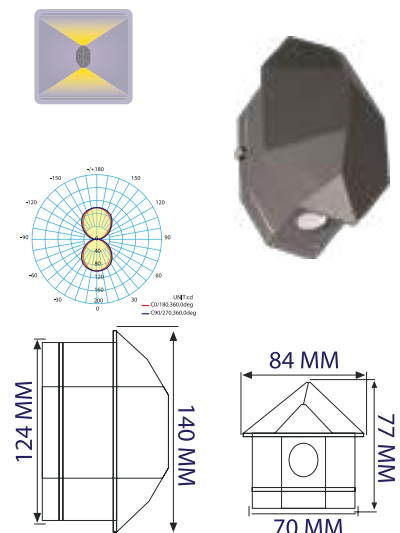
LED  
DECORATIVE  
UP & DOWN  
LIGHT



6092



6093



## Mechanical & Electrical Technical Data

Length	220 mm	140 mm
Width	75 mm	84 mm
Height	75 mm	77 mm
Body Material	Die - Cast Aluminum	Die - Cast Aluminum
Diffuser	Glass	Glass
IP - Rating	IP 54	IP 54
Standard Finish	Electrostatic Powder Coating	
Power Factor	> 0.95	> 0.95
Wattage	6 W	6 W
Input Voltage	220V – 240V AC	220V – 240V AC
Total Lumen Output	220 Lm	300 Lm
LED Lifespan	30000 hrs.	30000 hrs.
Chip	CREE	CREE
Operational Temp.	-25° C ~ +50° C	-25° C ~ +50° C
Frequency	50 / 60 Hz	50 / 60 Hz

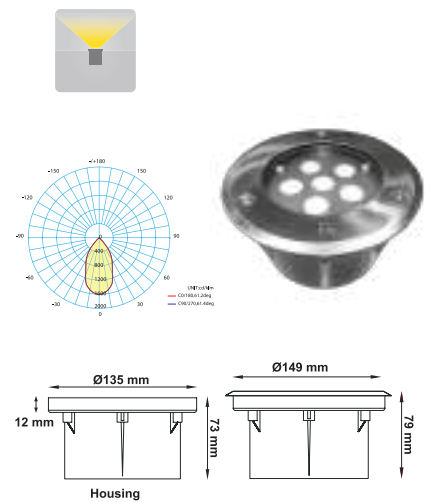
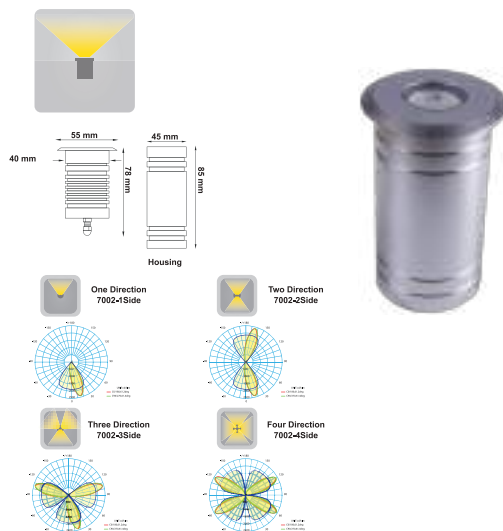
# LED DECORATIVE FAMILIES

## LED DECORATIVE UP LIGHT



7002

7066



### Mechanical & Electrical Technical Data

Diameter	55 mm	149 mm
Height	85 mm	79 mm
Body Material	Anodized Aluminum	Die - Cast Aluminum
Diffuser	Glass	Glass
IP - Rating	IP 67	IP 67
Standard Finish	Electrostatic Powder Coating + Stainless Steel Frame	
Power Factor	> 0.95	> 0.95
Wattage	2 W	6 W
Input Voltage	220V – 240V AC	220V – 240V AC
Total Lumen Output	200 Lm	540 Lm
LED Lifespan	30000 hrs.	30000 hrs.
Chip	LED COB CREE	LG
Operational Temp.	-25° C ~ +50° C	-25° C ~ +50° C
Frequency	50 / 60 Hz	50 / 60 Hz

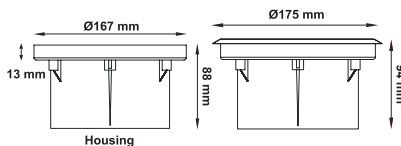
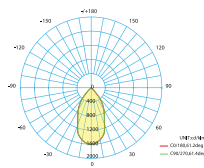
# LED DECORATIVE UP LIGHT



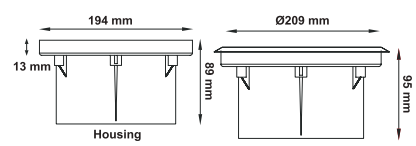
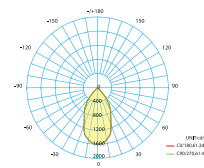
LED  
DECORATIVE  
UP LIGHT



7010



7015



## Mechanical & Electrical Technical Data

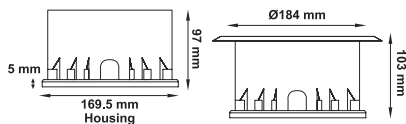
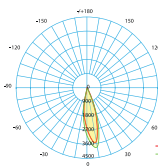
Diameter	175 mm	209 mm
Height	94 mm	95 mm
Body Material	Die - Cast Aluminum	Die - Cast Aluminum
Diffuser	Glass	Glass
IP - Rating	IP 67	IP 67
Standard Finish	Electrostatic Powder Coating + Stainless Steel Frame	
Power Factor	> 0.95	> 0.95
Wattage	10 W	15W
Input Voltage	220V – 240V AC	220V – 240V AC
Total Lumen Output	900 Lm	1350 Lm
LED Lifespan	30000 hrs.	30000 hrs.
Chip	LG	LG
Operational Temp.	-25 °C ~ +50 °C	-25 °C ~ +50 °C
Frequency	50 / 60 Hz	50 / 60 Hz

# LED DECORATIVE FAMILIES

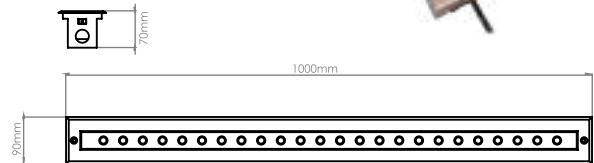
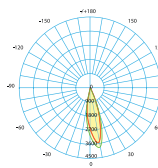
## LED DECORATIVE UP LIGHT



7038



7100



### Mechanical & Electrical Technical Data

Diameter	184 mm	1000 mm
Width	184 mm	90 mm
Height	103 mm	75 mm
Body Material	Die - Cast Aluminum	Die - Cast Aluminum
Diffuser	Glass	Glass
IP - Rating	IP 67	IP 67
Standard Finish	Electrostatic Powder Coating + Stainless Steel Frame	
Power Factor	> 0.95	> 0.95
Wattage	27 W	36 W
Input Voltage	220V – 240V AC	24V DC
Total Lumen Output	2450 Lm	3300 Lm
LED Lifespan	30000 hrs.	30000 hrs.
Chip	CREE	CREE
Operational Temp.	-25 °C ~ +50 °C	-25 °C ~ +50 °C
Frequency	50 / 60 Hz	50 / 60 Hz

LED  
DECORATIVE  
UP LIGHT

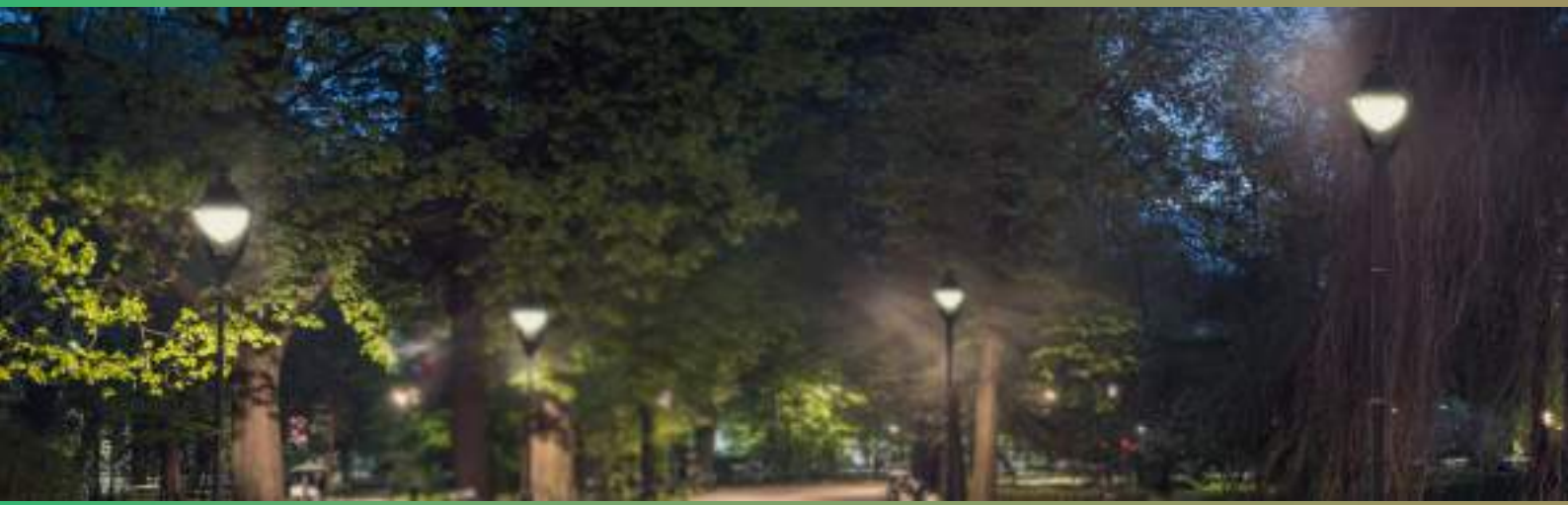




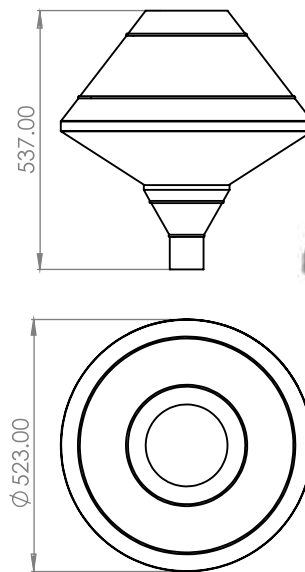
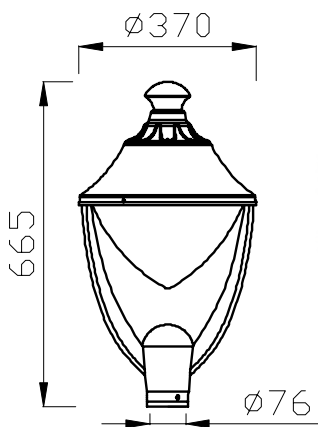
# GARDEN LIGHT

# 10





G009



G008



## Mechanical & Electrical Technical Data

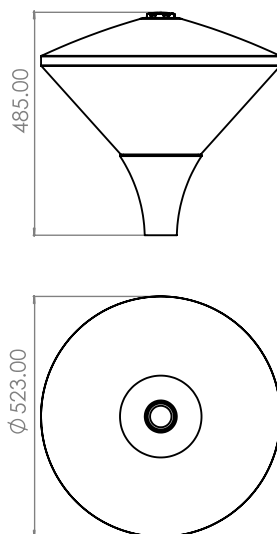
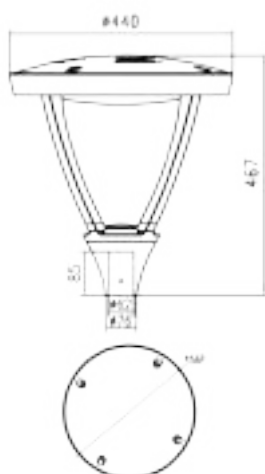
Length/Diameter	370 mm	523 mm
Height	665 mm	537 mm
Body Material	Die Cast Aluminium	Die Cast Aluminium
Diffuser	Poly Carbonate	Poly Carbonate
IP - Rating	IP65	IP65
Standard Finish	Electrostatic Coated	Electrostatic Coated
Power Factor	>0.9	>0.9
Wattage (Lamp)	36W	30W
Input Voltage	220V – 240V AC	220V – 240V AC
Total Lumen	2160 lm	as per lamp
LED Lifespan	30000 hrs	25000 hrs
Operational Temp.	-25° C ~ +50° C	-10° C ~ +45° C
Frequency	50 / 60 Hz	50 / 60 Hz





G006

G004

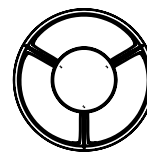
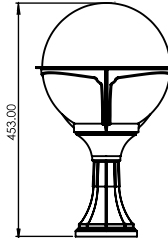
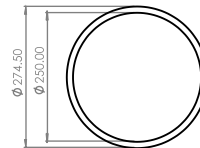
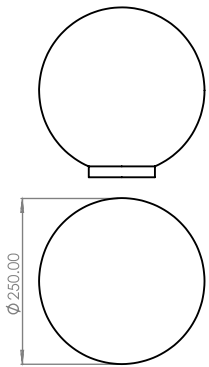


## Mechanical & Electrical Technical Data

Length/Diameter	440 mm	523 mm
Height	467 mm	485 mm
Body Material	Die Cast Aluminium	Die Cast Aluminium
Diffuser	Opal Poly carbonate	Poly Carbonate
Reflector	n/a	Aluminium reflector
IP - Rating	IP65	IP65
Standard Finish	Electrostatic Coated	Electrostatic Coated
Power Factor	>0.9	>0.9
Wattage (Lamp)	40W	30W
Input Voltage	220V – 240V AC	220V – 240V AC
Total Lumen	4800 lm	as per lamp
LED Lifespan	30000 hrs	25000 hrs
Operational Temp.	-25° C ~ +50° C	-10° C ~ +45° C
Frequency	50 / 60 Hz	50 / 60 Hz



GLS2501060



1384

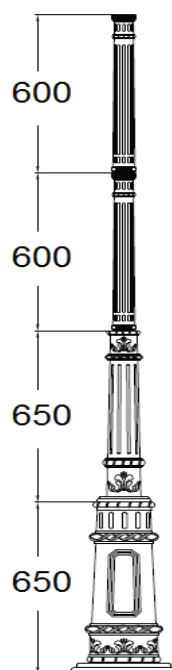


## Mechanical & Electrical Technical Data

Length/Diameter	200 / 250 / 300 / 400 mm	250 mm
Height	n/a	453 mm
Body Material	PolyCarbonate Base+Globe	Base Die Cast Aluminium PolyCarbonate Globe
Diffuser	Opal/Transparent	Opal/Transparent
IP - Rating	IP 54	IP54
Standard Finish	n/a	Electrostatic Coated
Power Factor	>0.9	>0.9
Wattage (Lamp)	9W/12W/15/18/30W	9W/12W/15W
Input Voltage	220V – 240V AC	220V – 240V AC
LED Lifespan	25000 hrs	25000 hrs
Operational Temp.	-10° C ~ +45° C	-10° C ~ +45° C
Frequency	50 / 60 Hz	50 / 60 Hz



P101





# ENEC LICENSE

**License No.** ENEC-03171  
**Page** 1/3  
**Date of Issue** 2020-10-29

**License Holder** El Sewedy Electric Industries Co. (EGYLUX)  
21st Cleopatra St Off El Thawra  
St. Heliopolis  
Cairo, Egypt

**Production site** El Sewedy Electric Industries Co (EGYLUX)  
Zone B3, Plot 10, Industrial Area, 10th of Ramadan City,  
Egypt

**Certification Mark** See Annex 1

**Certified Product Model** Road and street LED Streetlighting  
EGST1215740OSLED  
See Page 2

## Trademark



**Rated Voltage / Frequency** 110-277 V 50/60 Hz

**Rated Current / Power** 125 W See Page 2

**Insulation Class** Class I

**Degree of protection (IP)** IP66

**Tested acc. to** EN 60598-1:2015/A1:2018, EN 60598-1:2015, EN 60598-2-3:2003/A1:2011, EN 60598-2-3:2003

**Test Report No.** 4789267584.1 issued on 2020-10-27

**Additional** IK09 ta 50 °C

---

**Certification Manager**  
Jan-Erik Storgaard

This is to certify that representative sample(s) of the Product described herein ("Certified Product") have been investigated and found in compliance with the Standard(s) indicated on this License, in accordance with the ENEC Requirements. The Designated License holder is entitled to use the ENEC 15 Mark (as shown in annex 1) for the Certified Product manufactured at the production site(s) identified above in accordance with the ENEC Mark Service Agreement including without limitation the ENEC Mark Testing and Certification Services Service Terms. Only those Products bearing the ENEC Mark should be considered as being covered by UL's ENEC Mark Service. This License shall remain valid unless terminated earlier in accordance with the Service Agreement including without limitation if the Standard identified on this Certificate is amended or withdrawn prior the Date of Withdrawal of conflicting Standard(s).

**Certification Body**

UL International Demko A/S, Borupvang 5A, DK-2750  
Ballerup, Denmark, Tel. +45 44 85 65 65, info.dk@ul.com  
www.UL.com



# Our Clients

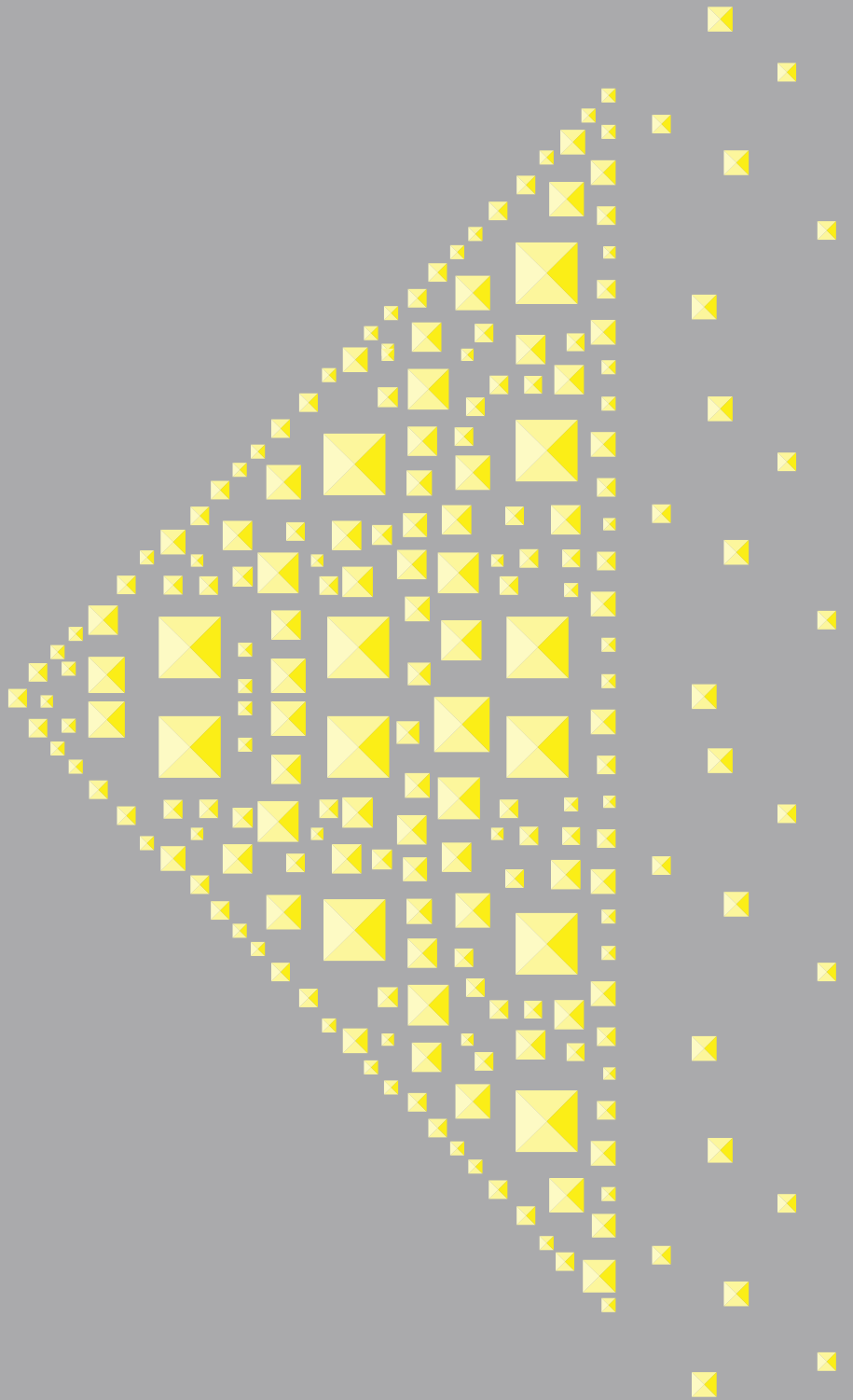


الوصف الخاص بالأبعاد و كذلك المواصفات المتضمنة في  
هذا الكتالوج هو علي سبيل الإستدلال فقط

و للشركة الحق في إجراء أي تعديلات و التي من الممكن أن  
تخدم أو تحسن هذه المنتجات دون سابق إنذار أو ملاحظات

ممنوع طبع أو إنتاج هذا الكتالوج جزئياً أو كلياً  
الحقوق محفوظة لشركة السويدي للصناعات الكهربائية

E  
G  
Y  
L  
U  
X



**El-Sewedy Electric Industries (Egylux)**

El-Sewedy Industries Holding Group Building

181 – 2nd Section – the Administrative area  
5th settlement, New Cairo, Cairo, Egypt.

[www.elsewedy-ind.com](http://www.elsewedy-ind.com)

[Egylux.hq@elsewedy-ind.com](mailto:Egylux.hq@elsewedy-ind.com)